

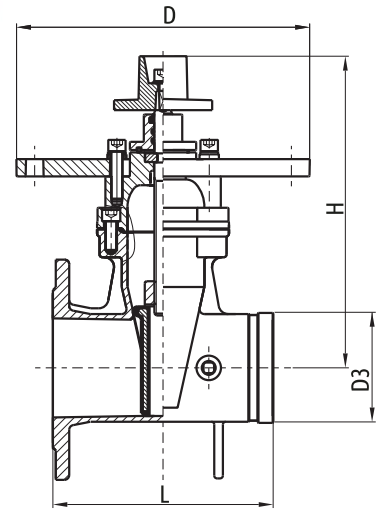
HIGHRISER® GATE VALVE RESILIENT SEATED NRS TYPE FLANGED-GROOVED ENDS



300PSI Fig No.: 3288-LI-300-FG

FEATURES & SPECIFICATIONS

- **Valve Standard:**
Conforms to AWWA C515 / BS5163
- **Working Pressure:**
21BARS / 300PSI
Temperature: from -10°C to 120°C
Fusion bonded epoxy coated interior and exterior RAL3002
- **Flanged Ends:**
ANSI B16.1 Class 125/ANSI B16.5 Class 150, EN1092-2 PN16
BS10 Table D/Table E
- **Grooved End** to suit ANSI/AWWA and BS Pipe Size
- **Stainless Steel Stem**



MATERIALS LIST	
Name	Material
Body	Ductile Iron ASTM A536 65-45-12
Wedge Disc	Ductile Iron ASTM A536 65-45-12 +EPDM
Disc Nut	Bronze ASTM B62
Stem	Stainless Steel AISI304/420
Gasket	EPDM
Bonnet	Ductile Iron ASTM A536 65-45-12
Thrust Collar	Bronze ASTM B62
Gland	Ductile Iron ASTM A536 65-45-12
Wrench Nut	Ductile Iron ASTM A536 65-45-12
Post Plate	Ductile Iron ASTM A536 65-45-12

DIMENSIONS(inch/mm)												
Size	2"/50	2.5"/65	3"/80	4"/100	5"/125	6"/150	8"/200	10"/250	12"/300			
L	7.00/178	7.5/191	8.00/203	9.00/229	10.00/254	10.50/267	11.50/292	13.00/330	14.00/356			
H	10.98/279	10.98/279	12.01/305	12.76/324	15.51/394	16.85/428	21.14/537	25.20/640	28.46/723			
D	12.01/305	12.01/305	12.01/305	12.01/305	12.01/305	12.01/305	12.01/305	12.01/305	12.01/305	12.01/305		
D3	2.37/60.3	2.87/73	2.99/76.1	2.37/88.9	4.5/114.3	5.56/141.3	5.5/139.7	6.63/168.3	6.5/165.1	8.63/219.1	10.75/273	12.75/323.9

NET WEIGHT (kg) & CRATE QTY (pcs)										
Size	2"/50	2.5"/65	3"/80	4"/100	5"/125	6"/150	8"/200	10"/250	12"/300	
N.W	24.00	25.30	27.50	35.00	42.00	50.00	83.00	123.50	175.50	
Crate Qty	9	9	9	9	9	9	9	4	2	

NOTES

1. Valve is rated at 300PSI for Fire Protection Service.
2. Design and materials are subject to change without notice.
3. All valves provided with 2"(50mm) operating nut.