

# STAINLESS STEEL WAFER BUTTERFLY VALVE

SS304 PN16 F1116-50  
SS316 PN16 F1116-51



## FEATURES & SPECIFICATIONS

- Higher strength for disc with pinned single shaft ensure optimal alignment
- Centrally mounted disc and hydrodynamic design minimize pressure loss
- Can be installed at horizontal or vertical pipe line
- Phenolic backed rubber seat is non-collapsible, stretch resistant and easily replaceable
- Excellent flow characteristic with flow in either direction
- Design conforms to BS EN 593 / BS 5155 / MSS SP-67 / API 609
- Precision machining of disc for low operating torque

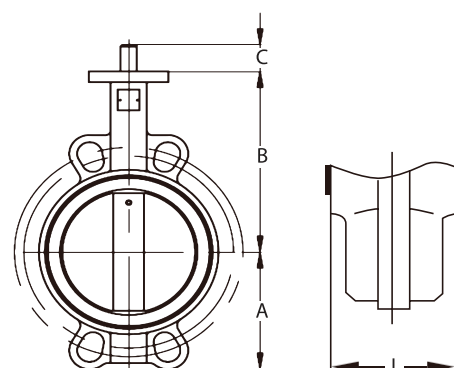


## TECHNICAL SPECIFICATIONS

Size	DN50 ... DN600
Body Design	Wafer
Working Pressure	16bar
Shell Test Pressure (x1.5)	24bar
Seat Test Pressure (x1.1)	17.6bar
Working Temperature	-10°C ... 120°C
Applicable Medium	Water, Oil, Gas
Operator	Lever, Wormgear, Electric Actuator
Connection	BS 4504 PN10 / PN16 EN1092-2 PN10 / PN16 JIS B2239 10K / 16K ANSI B16.1 Class 125 / 150
Optional Accessories	Chain Wheel, Limit Switch

## MATERIAL SPECIFICATIONS

Part	Material
Body	Stainless Steel 304 Stainless Steel 316
Disc	Stainless Steel 304 Stainless Steel 316
Seat	EPDM
Stem	Stainless Steel 316
Packing	PTFE
Bush	Polymer



## DIMENSIONS

DN	(mm)	50	65	80	100	125	150	200	250	300	350	400	450	500	600
	(inch)	2	2½	3	4	5	6	8	10	12	14	16	18	20	24
A		82	90	97	110	120	147	168	200	220	258	280	310	345	400
B		126	132	143	155	160	185	223	263	300	335	370	390	430	490
C		25	25	25	25	25	25	35	40	40	40	55	55	55	70
L		40	40	40	40	40	40	62	62	73	73	82	82	82	82

# STAINLESS STEEL WAFER BUTTERFLY VALVE

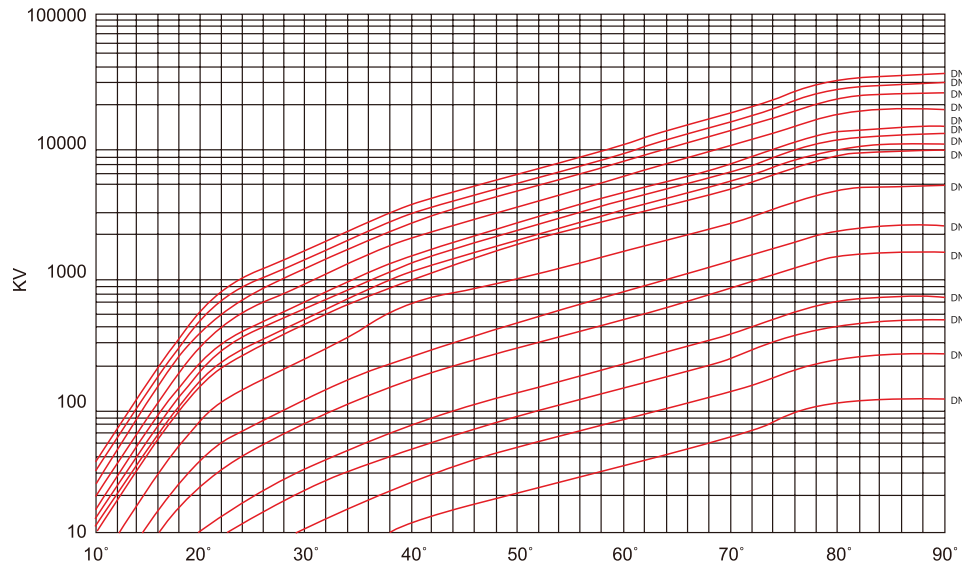
SS304 PN16 F1116-50  
SS316 PN16 F1116-51



## VALVE COEFFICIENT (FULL OPEN)

DN (mm)	50	65	80	100	125	150	200	250	300	350	400	450	500	550	600
DN (inch)	2	2½	3	4	5	6	8	10	12	14	16	18	20	22	24
<b>Cv</b>	135	220	302	600	1022	1579	3136	5340	8250	11917	16388	21705	27908	35170	43116

$C_v = 1.17K_v$

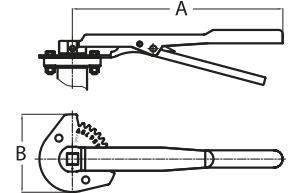


## DIMENSIONS - VALVE OPERATOR

Malleable Iron / Stainless Steel Lever  
Stainless Steel SUS304 Top Indicator Plate

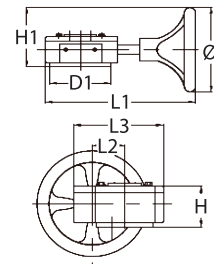
DN (mm)	50-80	100-125	150	200
DN (inch)	2-3	4-5	6	8
A	195	266	328	386
B	95	109	109	164

(mm)



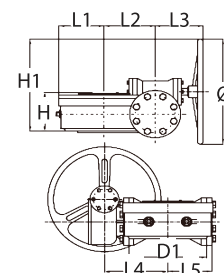
Cast Iron 1-Stage Worm Gear and Handwheel  
Carbon Steel Gear Box Shaft

VALVE DIAMETER	D1	∅	H	H1	L1	L2	L3
DN50 - DN80	65	150	33	70	216	45	127
DN100 - DN150	90	150	33	70	216	45	127
DN200 - DN250	125	285	36	76	303	63.5	170
DN300 - DN350	125	285	40	79	300	80	190
DN400	175	385	79	232.5	300	80	190
DN450 - DN550	175	390	108	251	397/427	120	279



Cast Iron 2-Stage Worm Gear and Handwheel  
Carbon Steel Gear Box Shaft

VALVE DIAMETER	D1	∅	H	H1	L1	L2	L3	L4	L5
DN600	210	285	125	271	107	100	156	168	107



Fivalco® is Registered Trade Mark  
**FIVALCO LIMITED**  
info@fivalco.com | www.fivalco.com

Exclusive Distributor:  
**ENVALCO SDN. BHD.** (1039097-M)  
No. 30, Jalan PJU 3/46, Sunway Damansara Technology Park, 47810 Petaling Jaya, Selangor Darul Ehsan, Malaysia  
T: 603 - 7883 0018 | F: 603 - 7883 0012 | E: enquiry@envalco.com.my | W: www.envalco.com.my