

STAINLESS STEEL FULL LUG BUTTERFLY VALVE

SS304 PN16 F1216-50
SS316 PN16 F1216-51



FEATURES & SPECIFICATIONS

- Higher strength for disc with pinned single shaft ensure optimal alignment
- Centrally mounted disc and hydrodynamic design minimize pressure loss
- Can be installed at horizontal or vertical pipe line
- Phenolic backed rubber seat is non-collapsible, stretch resistant and easily replaceable
- Excellent flow characteristic with flow in either direction
- Design conforms to BS EN 593 / BS 5155 / MSS SP-67 / API 609
- Precision machining of disc for low operating torque

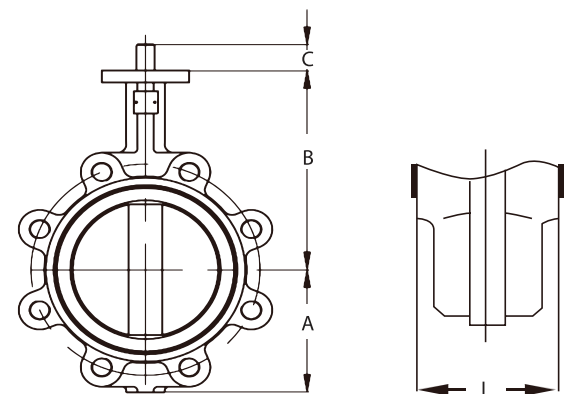


TECHNICAL SPECIFICATIONS

Size	DN50 ... DN600
Body Design	Lugged
Working Pressure	16bar
Shell Test Pressure (x1.5)	24bar
Seat Test Pressure (x1.1)	17.6bar
Working Temperature	-10°C ... 120°C
Applicable Medium	Water, Oil, Gas
Operator	Lever, Wormgear, Electric Actuator
Connection	BS 4505 PN10 / PN16 EN1092-2 PN10 / PN16 JIS B2239 10K / 16K ANSI B16.1 Class 125 / 150
Optional Accessories	Chain Wheel, Limit Switch

MATERIAL SPECIFICATIONS

Part	Material
Body	Stainless Steel 304 Stainless Steel 316
Disc	Stainless Steel 304 Stainless Steel 316
Seat	EPDM
Stem	Stainless Steel 316
Packing	PTFE
Bush	Polymer



DIMENSIONS

DN	(mm) (inch)	(mm)													
		50	65	80	100	125	150	200	250	300	350	400	450	500	600
		2	2½	3	4	5	6	8	10	12	14	16	18	20	24
	A	82	90	97	110	120	147	168	200	220	258	280	310	345	400
	B	126	132	143	155	160	185	223	263	300	335	370	390	430	490
	C	25	25	25	25	25	25	35	40	40	40	55	55	55	70
	L	40	40	40	40	40	40	62	62	73	73	82	82	82	82

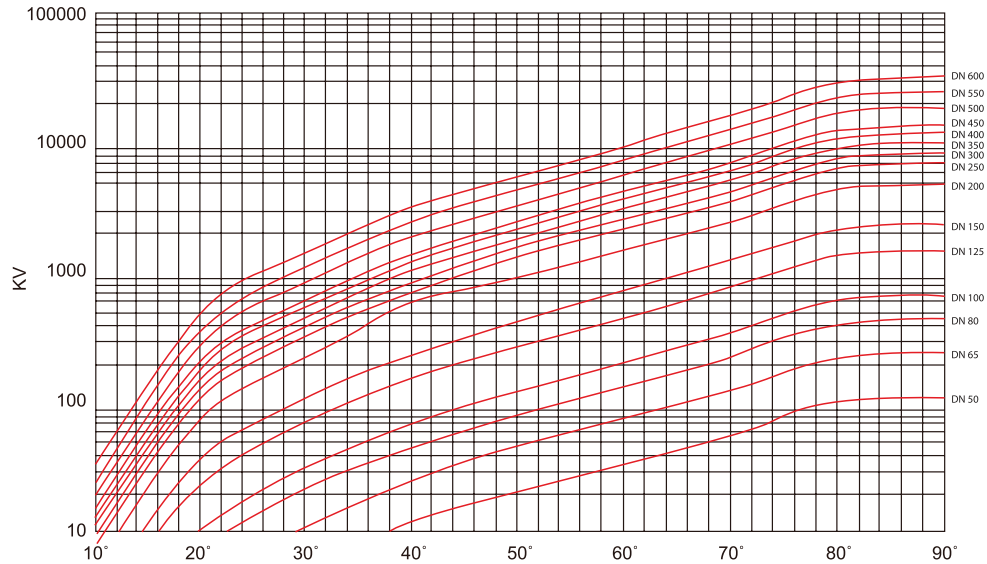
STAINLESS STEEL FULL LUG BUTTERFLY VALVE

SS304 PN16 F1216-50
SS316 PN16 F1216-51



VALVE COEFFICIENT (FULL OPEN)

DN (mm)	50	65	80	100	125	150	200	250	300	350	400	450	500	550	600
DN (inch)	2	2½	3	4	5	6	8	10	12	14	16	18	20	22	24
Cv	135	220	302	600	1022	1579	3136	5340	8250	11917	16388	21705	27908	35170	43116
Cv = 1.17Kv															

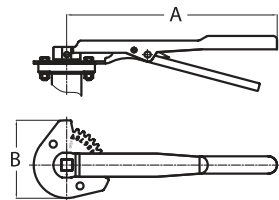


DIMENSIONS - VALVE OPERATOR

Malleable Iron / Stainless Steel Lever
Stainless Steel SUS304 Top Indicator Plate

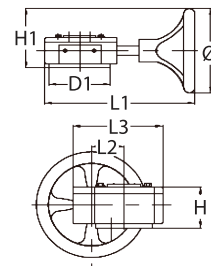
(mm)

DN (mm)	50-80	100-125	150	200
DN (inch)	2-3	4-5	6	8
A	195	266	328	386
B	95	109	109	164



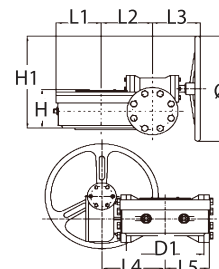
Cast Iron 1-Stage Worm Gear and Handwheel
Carbon Steel Gear Box Shaft

VALVE DIAMETER	D1	∅	H	H1	L1	L2	L3
DN50 - DN80	65	150	33	70	216	45	127
DN100 - DN150	90	150	33	70	216	45	127
DN200 - DN250	125	285	36	76	303	63.5	170
DN300 - DN350	125	285	40	79	300	80	190
DN400	175	385	79	232.5	300	80	190
DN450 - DN550	175	390	108	251	397/427	120	279



Cast Iron 2-Stage Worm Gear and Handwheel
Carbon Steel Gear Box Shaft

VALVE DIAMETER	D1	∅	H	H1	L1	L2	L3	L4	L5
DN600	210	285	125	271	107	100	156	168	107



Fivalco® is Registered Trade Mark
FIVALCO LIMITED
info@fivalco.com | www.fivalco.com

Exclusive Distributor:
ENVALCO SDN. BHD. (1039097-M)
No. 30, Jalan PJU 3/46, Sunway Damansara Technology Park, 47810 Petaling Jaya, Selangor Darul Ehsan, Malaysia
T: 603 - 7883 0018 | F: 603 - 7883 0012 | E: enquiry@envalco.com.my | W: www.envalco.com.my