

# STAINLESS STEEL 2-PIECE BODY BALL VALVE

SS304 PN16 F43D16-50  
SS316 PN16 F43D16-51



## FEATURES & SPECIFICATIONS

- 2 piece body full port design
- Design conforms to DIN2543 / DIN2544 / DIN2545
- Face to face dimension to DIN 3202
- Flange drilled to EN 1092-2 PN16 / ANSI Class 150 (Specify on order)
- Applicable for Building Services, Air-Conditioning, Fire-Protection, Cold Water Plumbing, Hot Water System, General Industries

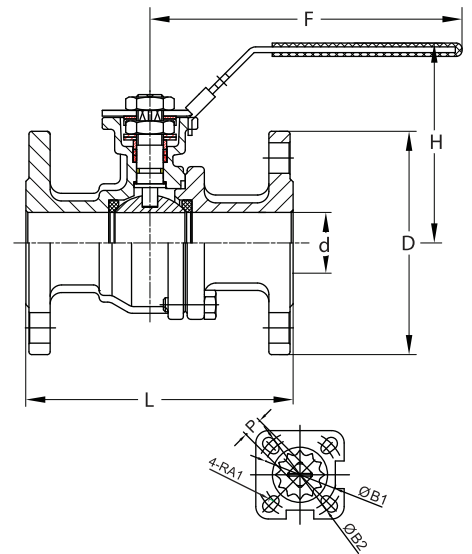


## PRESSURE & TEMPERATURE RATINGS

Working Pressure	16bar
Shell Test Pressure (x1.5)	24bar
Seat Test Pressure (x1.1)	17.6bar
Working Temperature	-25°C ... 180°C
Suitable Media	Water, Oil & Gas

## MATERIAL SPECIFICATIONS

Part	Material	Specification
Body	Stainless Steel 304	EN 10088-3 1.4301
	Stainless Steel 316	EN 10088-3 1.4401
Cover	Stainless Steel 304	EN 10088-3 1.4301
	Stainless Steel 316	EN 10088-3 1.4401
Ball	Stainless Steel 304	EN 10088-3 1.4301
	Stainless Steel 316	EN 10088-3 1.4401
Seat	PTFE	
Shaft	Stainless Steel 304	EN 10088-3 1.4301
	Stainless Steel 316	EN 10088-3 1.4401
Seal	PTFE	
Nut	Stainless Steel 304	EN 10088-3 1.4301
	Stainless Steel 316	EN 10088-3 1.4401
Handle	Stainless Steel 304	EN 10088-3 1.4301



## DIMENSIONS

DN (mm)	15	20	25	32	40	50	65	80	100	125	150	200	(mm)
DN (inch)	½	¾	1	1¼	1½	2	2½	3	4	5	6	8	
L	115	120	125	130	140	150	170	180	190	325	350	400	
H	80	85	95	108	114	124	148	158	191	260	278	340	
D	95	105	115	140	150	165	185	200	220	250	285	340	
d	15	20	25	32	38	50	65	76	94	125	150	200	
F	140	140	160	160	185	185	230	230	230	600	600	800	
P	9	9	11	11	14	14	17	17	17	22	22	27	
ØB1/ØB2	F03/F04	F03/F04	F04/F05	F04/F05	F05/F07	F05/F07	F07/F10	F07/F10	F07/F10	F10/F12	F10/F12	F12/F14	
Torque(N.m)	5	8	10	14	18	25	48	75	110	200	300	400	

Fivalco® is Registered Trade Mark  
**FIVALCO LIMITED**  
info@fivalco.com | www.fivalco.com

Exclusive Distributor:  
**ENVALCO SDN. BHD.** (1039097-M)  
No. 30, Jalan PJU 3/46, Sunway Damansara Technology Park, 47810 Petaling Jaya, Selangor Darul Ehsan, Malaysia  
T: 603 - 7883 0018 | F: 603 - 7883 0012 | E: enquiry@envalco.com.my | W: www.envalco.com.my

Fivalco reserves the right to alter the information in this document without prior notice. Fivalco shall not be liable for technical errors or omissions contained herein.