

STAINLESS STEEL 3-PIECE BODY BALL VALVE

SS304 PN16 F43T16-50
SS316 PN16 F43T16-51



FEATURES & SPECIFICATIONS

- 3 piece body full port design
- Design conforms to API 598 / DIN 3202-F1
- Face to face dimension to DIN 3202-F1
- Flange drilled to EN 1092-2 PN16 / ANSI Class 150 (Specify on order)
- Applicable for Building Services, Air-Conditioning, Fire-Protection, Cold Water Plumbing, Hot Water System, General Industries

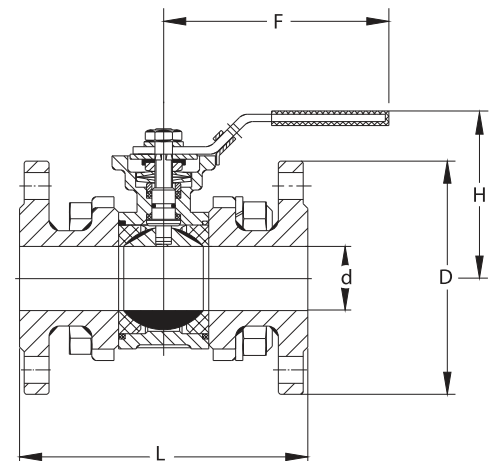


PRESSURE & TEMPERATURE RATINGS

Working Pressure	16bar
Shell Test Pressure (x1.5)	24bar
Seat Test Pressure (x1.1)	17.6bar
Working Temperature	-25°C ... 180°C
Suitable Media	Water, Oil & Gas

MATERIAL SPECIFICATIONS

Part	Material	Specification
Body	Stainless Steel 304	EN 10088-3 1.4301
	Stainless Steel 316	EN 10088-3 1.4401
Stem	Stainless Steel 304	EN 10088-3 1.4301
	Stainless Steel 316	EN 10088-3 1.4401
Cap	Stainless Steel 304	EN 10088-3 1.4301
	Stainless Steel 316	EN 10088-3 1.4401
Gasket	PTFE	
Ball	Stainless Steel 304	EN 10088-3 1.4301
	Stainless Steel 316	EN 10088-3 1.4401
Seat	RPTFE	
Bolt	Stainless Steel 304	EN 10088-3 1.4301
Washer	Stainless Steel 304	EN 10088-3 1.4301
Nut	Stainless Steel 304	EN 10088-3 1.4301
Stem Packing	PTFE	
Handle	Stainless Steel 304	EN 10088-3 1.4301



DIMENSIONS

DN (mm) (inch)	15	20	25	32	40	50	65	80	100
L	130	150	160	180	200	230	290	310	350
H	84	87	93	99	114	122	150	161	180
D	95	105	115	140	150	165	185	200	235
Ød	15	20	25	32	40	50	65	80	100
F	148	148	170	170	212	212	254	254	285
Torque(N.m)	5	8	10	14	18	25	48	75	110

Fivalco® is Registered Trade Mark
FIVALCO LIMITED
info@fivalco.com | www.fivalco.com

Exclusive Distributor :
ENVALCO SDN. BHD. (1039097-M)
No. 30, Jalan PJU 3/46, Sunway Damansara Technology Park, 47810 Petaling Jaya, Selangor Darul Ehsan, Malaysia
T: 603 - 7883 0018 | F: 603 - 7883 0012 | E: enquiry@envalco.com.my | W: www.envalco.com.my

Fivalco reserves the right to alter the information in this document without prior notice. Fivalco shall not be liable for technical errors or omissions contained herein.