

STAINLESS STEEL 2-PIECE BODY BALL VALVE

SS304 F4S64D-50
SS316 F4S64D-51



FEATURES & SPECIFICATIONS

- Two-piece body
- 90° quarter turn
- Bi-direction zero-leakage
- Full bore design
- Threaded body cap
- Threaded to EN 10226-1 (ISO 7)
- Blow-out proof stem
- Locking device available as option
- Design conforms to ASME B16.34
- Applicable for Building Services, Air-Conditioning, Fire-Protection, Cold Water Plumbing, Hot Water System, General Industries.

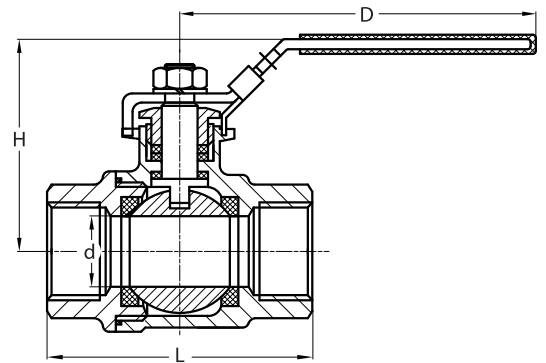


PRESSURE & TEMPERATURE RATINGS

Working Pressure	1000psi
Shell Testing Pressure	x1.5 times
Seat Testing Pressure	x1.1 times
Working Temperature	-25°C ... 180°C
Suitable Media	Water, Oil & Gas

MATERIAL SPECIFICATIONS

Part	Material	Specification
Body	Stainless Steel 304	EN 10088-3 1.4301
	Stainless Steel 316	EN 10088-3 1.4401
Cap	Stainless Steel 304	EN 10088-3 1.4301
	Stainless Steel 316	EN 10088-3 1.4401
Ball	Stainless Steel 304	EN 10088-3 1.4301
	Stainless Steel 316	EN 10088-3 1.4401
Seat	PTFE	
Thrust Washer	PTFE	
Packing	PTFE	
Nut	Stainless Steel 304	EN 10088-3 1.4301
Handle	Stainless Steel 304	EN 10088-3 1.4301



DIMENSIONS

DN	(mm)	8	10	15	20	25	32	40	50	65	80	100	(mm)
	(inch)	¼	⅜	½	¾	1	1¼	1½	2	2½	3	4	
L		50	50	53	65	73	85	94	112	147	172	220	
H		49	49	51	58	73	79	85	95	126	138	158	
D		106	106	104	116	148	148	182	182	252	252	283	
d		11	12.5	15	20	25	32	38	50	65	76	94	
Torque(N.m)		4	4	5	8	10	14	25	40	48	80	103	

PRODUCT IDENTIFICATION CODE

CODE	F4	S	64	D	-50
	F4 Ball Valve	S Stainless Steel	64 PN64	O One piece body	50 Stainless Steel 304
				D Two piece body	51 Stainless Steel 316
				T Three piece body	

Fivalco® is Registered Trade Mark
FIVALCO LIMITED
info@fivalco.com | www.fivalco.com

Exclusive Distributor:
ENVALCO SDN. BHD. (1039097-M)
No. 30, Jalan PJU 3/46, Sunway Damansara Technology Park, 47810 Petaling Jaya, Selangor Darul Ehsan, Malaysia
T: 603 - 7883 0018 | F: 603 - 7883 0012 | E: enquiry@envalco.com.my | W: www.envalco.com.my