

STAINLESS STEEL 1-PIECE BODY BALL VALVE

SS304 F4S640-50
SS316 F4S640-51



FEATURES & SPECIFICATIONS

- One-piece body
- 90° quarter turn
- Bi-direction zero-leakage
- Reduced bore design
- Blow-out proof stem
- Locking device available as option
- Design conforms to ASME B16.34
- Applicable for Building Services, Air-Conditioning, Fire-Protection, Cold Water Plumbing, Hot Water System, General Industries.

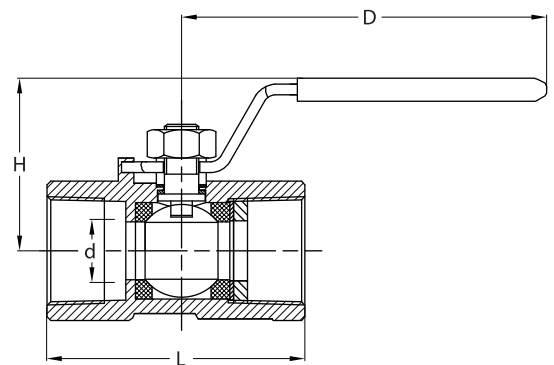


PRESSURE & TEMPERATURE RATINGS

Working Pressure	1000psi
Shell Testing Pressure	x1.5 times
Seat Testing Pressure	x1.1 times
Working Temperature	-25°C ... 180°C
Suitable Media	Water, Oil & Gas

MATERIAL SPECIFICATIONS

Part	Material	Specification
Body	Stainless Steel 304	EN 10088-3 1.4301
	Stainless Steel 316	EN 10088-3 1.4401
Cap	Stainless Steel 304	EN 10088-3 1.4301
	Stainless Steel 316	EN 10088-3 1.4401
Ball	Stainless Steel 304	EN 10088-3 1.4301
	Stainless Steel 316	EN 10088-3 1.4401
Seat	PTFE	
Thrust Washer	PTFE	
Packing	PTFE	
Nut	Stainless Steel 304	EN 10088-3 1.4301
Handle	Stainless Steel 304	EN 10088-3 1.4301



DIMENSIONS

DN	(mm)	8	10	15	20	25	32	40	50
	(inch)	¼	⅜	½	¾	1	1¼	1½	2
L		40	45	56	59	71	76	84	99
H		32	33	42	45	48	58	67	74
D		68	68	95	95	95	106	128	130
d		5	7	9	12.5	15	20	25	32

PRODUCT IDENTIFICATION CODE

CODE	F4	S	64	O	-50
	F4 Ball Valve	S Stainless Steel	64 PN64	O One piece body	50 Stainless Steel 304
				D Two piece body	51 Stainless Steel 316
				T Three piece body	

Fivalco® is Registered Trade Mark
FIVALCO LIMITED
info@fivalco.com | www.fivalco.com

Exclusive Distributor :
ENVALCO SDN. BHD. (1039097-M)
No. 30, Jalan PJU 3/46, Sunway Damansara Technology Park, 47810 Petaling Jaya, Selangor Darul Ehsan, Malaysia
T: 603 - 7883 0018 | F: 603 - 7883 0012 | E: enquiry@envalco.com.my | W: www.envalco.com.my

Fivalco reserves the right to alter the information in this document without prior notice. Fivalco shall not be liable for technical errors or omissions contained herein.