

# STAINLESS STEEL 3-PIECE BODY BALL VALVE BUTT WELD

SS304 F4S64TB-50  
SS316 F4S64TB-51



## FEATURES & SPECIFICATIONS

- 3 piece body full port design
- Butt weld to ASME B16.25 / DIN 3239
- Blow-out proof stem
- Locking device available as option
- Applicable for Building Services, Air-Conditioning, Fire-Protection, Cold Water Plumbing, Hot Water System, General Industries

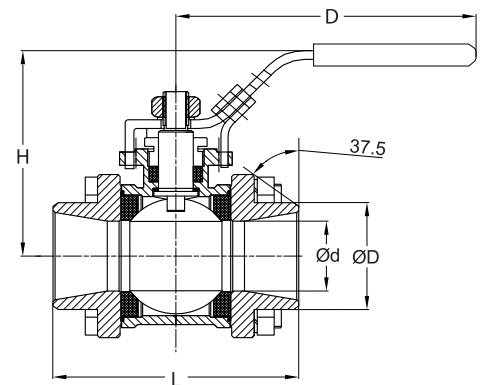


## PRESSURE & TEMPERATURE RATINGS

|                     |                  |
|---------------------|------------------|
| Working Pressure    | 1000psi          |
| Shell Test Pressure | x1.5 times       |
| Seat Test Pressure  | x1.1 times       |
| Working Temperature | -25°C ... 180°C  |
| Suitable Media      | Water, Oil & Gas |

## MATERIAL SPECIFICATIONS

| Part   | Material            | Specification     |
|--------|---------------------|-------------------|
| Body   | Stainless Steel 304 | EN 10088-3 1.4301 |
|        | Stainless Steel 316 | EN 10088-3 1.4401 |
| Cover  | Stainless Steel 304 | EN 10088-3 1.4301 |
|        | Stainless Steel 316 | EN 10088-3 1.4401 |
| Ball   | Stainless Steel 304 | EN 10088-3 1.4301 |
|        | Stainless Steel 316 | EN 10088-3 1.4401 |
| Seat   | PTFE                |                   |
| Shaft  | Stainless Steel 304 | EN 10088-3 1.4301 |
|        | Stainless Steel 316 | EN 10088-3 1.4401 |
| Seal   | PTFE                |                   |
| Nut    | Stainless Steel 304 | EN 10088-3 1.4301 |
|        | Stainless Steel 316 | EN 10088-3 1.4401 |
| Handle | Stainless Steel 304 | EN 10088-3 1.4301 |



## DIMENSIONS

| DN (mm)     | 8   | 10  | 15  | 20  | 25  | 32  | 40  | 50  | 65  | 80  | 100 | (mm) |
|-------------|-----|-----|-----|-----|-----|-----|-----|-----|-----|-----|-----|------|
| DN (inch)   | ¼   | ⅜   | ½   | ¾   | 1   | 1¼  | 1½  | 2   | 2½  | 3   | 4   |      |
| L           | 51  | 51  | 63  | 71  | 80  | 94  | 103 | 126 | 158 | 179 | 213 |      |
| H           | 44  | 45  | 50  | 59  | 61  | 79  | 83  | 94  | 135 | 144 | 149 |      |
| D           | 103 | 103 | 103 | 127 | 127 | 154 | 154 | 195 | 244 | 244 | 285 |      |
| Ød          | 13  | 13  | 15  | 20  | 25  | 32  | 38  | 50  | 65  | 76  | 94  |      |
| ØD          | 19  | 19  | 23  | 28  | 34  | 41  | 49  | 61  | 78  | 94  | 115 |      |
| Torque(N.m) | 5   | 5   | 6   | 10  | 12  | 17  | 30  | 48  | 58  | 96  | 124 |      |

**Fivalco® is Registered Trade Mark**  
**FIVALCO LIMITED**  
info@fivalco.com | www.fivalco.com

Exclusive Distributor :  
**ENVALCO SDN. BHD.** (1039097-M)  
No. 30, Jalan PJU 3/46, Sunway Damansara Technology Park, 47810 Petaling Jaya, Selangor Darul Ehsan, Malaysia  
T: 603 - 7883 0018 | F: 603 - 7883 0012 | E: enquiry@envalco.com.my | W : www.envalco.com.my

Fivalco reserves the right to alter the information in this document without prior notice. Fivalco shall not be liable for technical errors or omissions contained herein.