

STAINLESS STEEL WAFER DOUBLE DOOR CHECK VALVE



SS304 PN16 / PN25 F51DD16-50 / F51DD25-50
 SS316 PN16 / PN25 F51DD16-51 / F51DD25-51

FEATURES & SPECIFICATIONS

- Spring loaded double door
- Rubber seat for non-slam effect
- Comply with API 594
- Wafer connection to BS 4504 PN16 / EN 1092-2 PN16 / BS 4504 PN25 / EN 1092-2 PN25 / ANSI Class 150 (Specify on order)
- Applicable for Building Services, Air-Conditioning, Fire Protection, Cold Water Plumbing, Hot Water System, Sewerage & Water Treatment, General Industries.

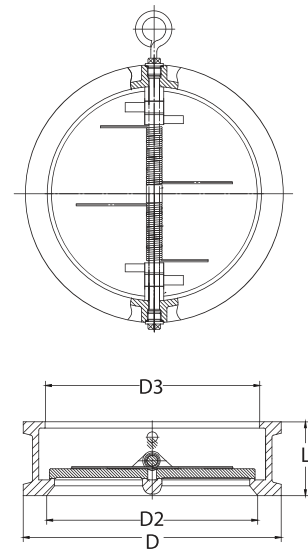


PRESSURE & TEMPERATURE RATINGS

Working Pressure	16bar	25bar
Shell Test Pressure (x1.5)	24bar	37.5bar
Seat Test Pressure (x1.1)	17.6bar	27.5bar
Working Temperature	-20°C ... 120°C	
Suitable Media	Water, Oil & Gas	

MATERIAL SPECIFICATIONS

Part	Material	Specification
Body	Stainless Steel 304	BS970 304C15
	Stainless Steel 316	BS970 316C16
Disc	Stainless Steel 304	BS970 304C15
	Stainless Steel 316	BS970 316C16
Stem	Stainless Steel 304	BS970 304C15
	Stainless Steel 316	BS970 316C16
Washer	Stainless Steel 304	BS970 304C15
Gasket	Polytef	
Spring	Stainless Steel 304	BS970 304S15
Plug	Stainless Steel 304	BS970 304S15
Nozzle Stub	Stainless Steel 304	BS970 304S15



DIMENSIONS

DN	(mm) (inch)	(mm)													
		50	65	80	100	125	150	200	250	300	350	400	450	500	600
L		60	67	73	73	86	98	127	146	181	184	191	203	219	222
D	PN16	108	128	142	162	192	218	273	329	384	444	496	556	618	695
	PN25	108	128	142	168	194	224	184	341	401	458	515	565	622	732
D2		51	65	80	102	127	152	203	254	305	350	400	450	500	600
D3		56	73	88	108	132	160	210	266	310	355	405	455	505	605

Fivalco® is Registered Trade Mark
FIVALCO LIMITED
 info@fivalco.com | www.fivalco.com

Exclusive Distributor :
ENVALCO SDN. BHD. (1039097-M)
 No. 30, Jalan PJU 3/46, Sunway Damansara Technology Park, 47810 Petaling Jaya, Selangor Darul Ehsan, Malaysia
 T: 603 - 7883 0018 | F: 603 - 7883 0012 | E: enquiry@envalco.com.my | W : www.envalco.com.my

Fivalco reserves the right to alter the information in this document without prior notice. Fivalco shall not be liable for technical errors or omissions contained herein.