

STAINLESS STEEL SWING CHECK VALVE

SS304 PN16 F53S16-50
 SS316 PN16 F53S16-51

FEATURES & SPECIFICATIONS

- Bolted bonnet
- Durable fusion bonded epoxy coated
- Flange drilled to BS 4504 PN16 / EN 1092-2 PN16 / ANSI Class 150 (Specify on order)
- Applicable for Building Services, Air-Conditioning, Fire Protection, Cold Water Plumbing, Hot Water System, General Industries.

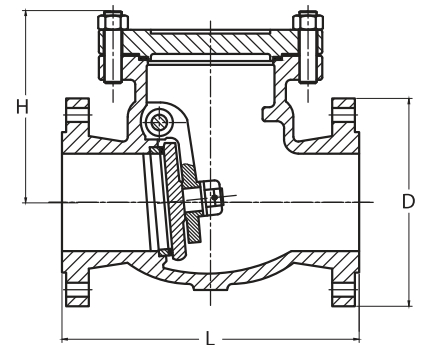


PRESSURE & TEMPERATURE RATINGS

Working Pressure	16bar
Shell Test Pressure (x1.5)	24bar
Seat Test Pressure (x1.1)	17.6bar
Working Temperature	-20°C ... 120°C
Suitable Media	Water, Oil & Gas

MATERIAL SPECIFICATIONS

Part	Material	Specification
Body	Stainless Steel 304	EN 10088-3 1.4301
	Stainless Steel 316	EN 10088-3 1.4401
Disc	Stainless Steel 304	EN 10088-3 1.4301
	Stainless Steel 316	EN 10088-3 1.4401
Cover	Stainless Steel 304	EN 10088-3 1.4301
	Stainless Steel 316	EN 10088-3 1.4401
Pin	Stainless Steel 304	EN 10088-3 1.4301
	Stainless Steel 316	EN 10088-3 1.4401
Washer	PTFE	



DIMENSIONS

DN	(mm)	25	32	40	50	65	80	100	125	150	200	(mm)
	(inch)	1	1¼	1½	2	2½	3	4	5	6	8	
L		160	180	200	230	290	310	350	400	480	600	
H		64	68	75	97	111	120	162	179	203	236	
D		115	140	150	165	185	200	220	250	285	340	