

STAINLESS STEEL SWING CHECK VALVE

SS304 200PSI F5S200S-50
 SS316 200PSI F5S200S-51



FEATURES & SPECIFICATIONS

- Swing disc
- Integral seat
- Threaded cap
- Threaded to BS21 (ISO7) / ANSI B2.1 / DIN 259 / DIN 2999
- Applicable for Building Services, Air-Conditioning, Fire-Protection, Cold Water Plumbing, Hot Water System, General Industries

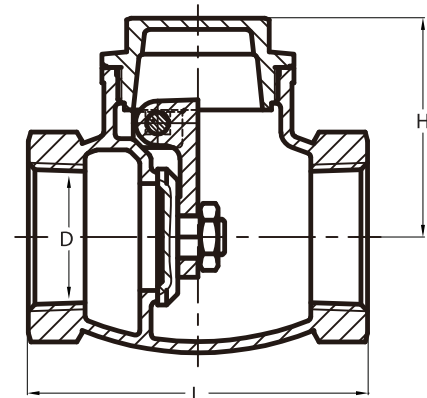


PRESSURE & TEMPERATURE RATINGS

| | |
|------------------------|----------------------|
| Working Pressure | 200psi WOG Non-Shock |
| Shell Testing Pressure | x1.5 times |
| Seat Testing Pressure | x1.1 times |
| Working Temperature | -25°C ... 180°C |
| Suitable Media | Water, Oil & Gas |

MATERIAL SPECIFICATIONS

| Part | Material | Specification |
|-------------|---------------------|-------------------|
| Body | Stainless Steel 304 | EN 10088-3 1.4301 |
| | Stainless Steel 316 | EN 10088-3 1.4401 |
| Disc | Stainless Steel 304 | EN 10088-3 1.4301 |
| | Stainless Steel 316 | EN 10088-3 1.4401 |
| Pipe Plug | Stainless Steel 304 | EN 10088-3 1.4301 |
| Plug Gasket | Stainless Steel 304 | EN 10088-3 1.4401 |
| Gasket | PTFE | |
| Cap | Stainless Steel 304 | EN 10088-3 1.4301 |
| | Stainless Steel 316 | EN 10088-3 1.4401 |
| Seal | PTFE | |



DIMENSIONS

| DN (mm) (inch) | 8 | 10 | 15 | 20 | 25 | 32 | 40 | 50 | 65 | 80 | 100 | (mm) |
|-------------------|----|----|----|----|----|-----|-----|-----|-----|-----|-----|------|
| L | 65 | 63 | 65 | 80 | 90 | 105 | 120 | 140 | 164 | 190 | 240 | |
| H | 42 | 42 | 42 | 50 | 58 | 62 | 72 | 81 | 94 | 103 | 136 | |
| D | 10 | 12 | 15 | 20 | 25 | 32 | 40 | 50 | 64 | 73 | 94 | |

Fivalco® is Registered Trade Mark
FIVALCO LIMITED
 info@fivalco.com | www.fivalco.com

Exclusive Distributor :
ENVALCO SDN. BHD. (1039097-M)
 No. 30, Jalan PJU 3/46, Sunway Damansara Technology Park, 47810 Petaling Jaya, Selangor Darul Ehsan, Malaysia
 T: 603 - 7883 0018 | F: 603 - 7883 0012 | E: enquiry@envalco.com.my | W : www.envalco.com.my

Fivalco reserves the right to alter the information in this document without prior notice. Fivalco shall not be liable for technical errors or omissions contained herein.