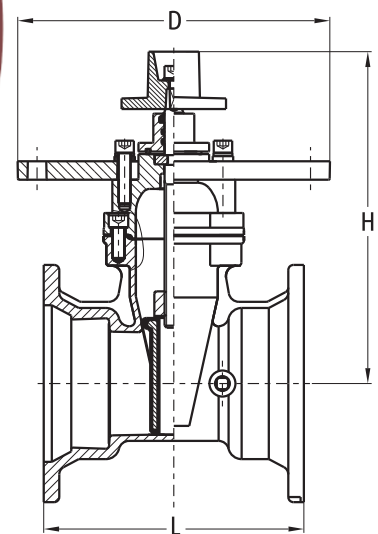


**FEATURES & SPECIFICATIONS**

- Non-rising stem
- Stainless steel stem
- Valve conforms to AWWA C515 / BS5163
- Fusion bonded epoxy coated interior and exterior RAL3002
- Mechanical joint ends to AWWA C153 / A21.53
- Working pressure : 300psi
- Working temperature : -10°C ... 120°C
- All valves provided with 2" (50mm) operating nut


**MATERIALS LIST**

| Name          | Material                               |
|---------------|--|
| Body          | Ductile Iron ASTM A536 65-45-12        |
| Wedge Disc    | Ductile Iron ASTM A536 65-45-12 + EPDM |
| Disc Nut      | Bronze ASTM B62                        |
| Stem          | Stainless Steel AISI 304/402           |
| Gasket        | EPDM                                   |
| Bonnet        | Ductile Iron ASTM A536 65-45-12        |
| Thrust Collar | Bronze ASTM B62                        |
| Gland         | Ductile Iron ASTM A536 65-45-12        |
| Wrench Nut    | Ductile Iron ASTM A536 65-45-12        |
| Post Plate    | Ductile Iron ASTM A536 65-45-12        |

**DIMENSIONS (inch/mm)**

| Size | 3"/80     | 4"/100    | 6"/150    | 8"/200    | 10"/250   | 12"/300   |
|------|-----------|-----------|-----------|-----------|-----------|-----------|
| L    | 9.49/241  | 10.00/254 | 11.50/292 | 12.52/318 | 14.76/375 | 14.88/378 |
| H    | 12.01/305 | 12.76/324 | 16.85/428 | 21.14/537 | 25.20/640 | 28.46/723 |
| D    | 12.01/305 | 12.01/305 | 12.01/305 | 12.01/305 | 12.01/305 | 12.01/305 |

**NET WEIGHT (kg) & CRATE QTY (pcs)**

| Size      | 3"/80 | 4"/100 | 6"/150 | 8"/200 | 10"/250 | 12"/300 |
|-----------|-------|--------|--------|--------|---------|---------|
| N.W.      | 27.50 | 35.00  | 50.00  | 83.00  | 123.50  | 175.50  |
| Crate Qty | 9     | 9      | 9      | 9      | 4       | 2       |