

HIGH RISER GATE VALVE RESILIENT SEATED OS&Y TYPE GROOVED-GROOVED ENDS

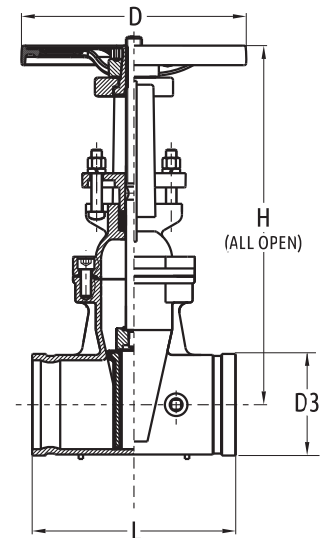
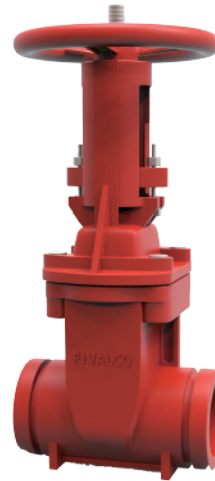
300PSI

Fig No.: 3299-LI-300-GG



FEATURES & SPECIFICATIONS

- Rising stem, Outside Screw & Yoke (OS&Y)
- Stainless steel stem
- Valve conforms to AWWA C515 / BS5163
- Fusion bonded epoxy coated interior and exterior RAL3002
- Grooved ends to suit ANSI / AWWA and BS Pipe size
- Working pressure : 300psi
- Working temperature : -10°C ... 120°C



MATERIALS LIST

Name	Material
Body	Ductile Iron ASTM A536 65-45-12
Wedge	Ductile Iron ASTM A536 65-45-12 + EPDM
Wedge Nut	Stainless Steel AISI 304
Stem	Stainless Steel AISI 304/420
Bonnet	Ductile Iron ASTM A536 65-45-12
Gasket	EPDM
Packing	Graphite
Stem Nut	Bronze ASTM B62
Handwheel	Ductile Iron ASTM A536 65-45-12

DIMENSIONS (inch/mm)

Size	2"/50	2.5"/65	3"/80	4"/100	5"/125	6"/150	8"/200	10"/250	12"/300			
L	7.00/178	7.50/191	8.00/203	9.00/229	10.00/254	10.50/267	11.50/292	13.00/330	14.00/356			
H	16.18/411	16.18/411	18.19/462	20.24/514	24.76/629	27.91/709	36.18/919	43.94/1116	51.18/1300			
D	7.20/183	7.20/183	9.96/253	9.96/253	12.05/306	12.05/306	13.98/355	17.52/445	17.52/445			
D3	2.37/60.3	2.87/73	2.99/76.1	2.37/88.9	4.5/114.3	5.56/141.3	5.5/139.7	6.63/168.3	6.5/165.1	8.63/219.1	10.75/273	12.75/323.9

NET WEIGHT (kg) & CRATE QTY (pcs)

Size	2"/50	2.5"/65	3"/80	4"/100	5"/125	6"/150	8"/200	10"/250	12"/300
N.W.	17.64	18.91	22.13	27.16	40.30	46.90	72.00	111.00	167.00
Crate Qty	25	25	16	16	9	9	6	4	2

Fivalco® is Registered Trade Mark
FIVALCO LIMITED
 info@fivalco.com | www.fivalco.com

Exclusive Distributor :
ENVALCO SDN. BHD. (1039097-M)
 No. 30, Jalan PJU 3/46, Sunway Damansara Technology Park, 47810 Petaling Jaya, Selangor Darul Ehsan, Malaysia
 T: 603 - 7883 0018 | F: 603 - 7883 0012 | E: enquiry@envalco.com.my | W: www.envalco.com.my

Fivalco reserves the right to alter the information in this document without prior notice. Fivalco shall not be liable for technical errors or omissions contained herein.