

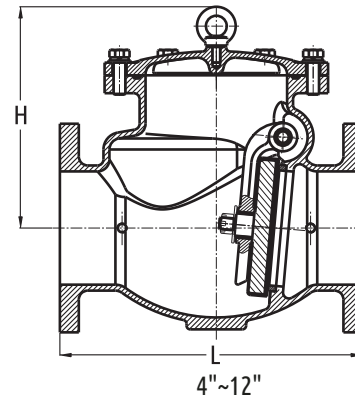
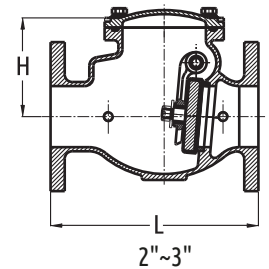
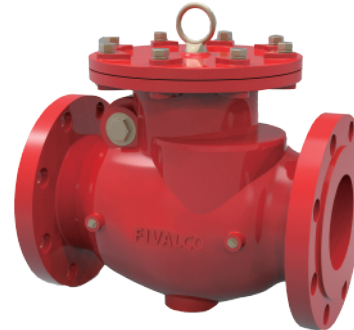
# HIGH RISER SWING CHECK VALVE RESILIENT SEATED FLANGED ENDS

## 300PSI

## Fig No.: 5201-LI-300-FLA

### FEATURES & SPECIFICATIONS

- Bolted bonnet
- Swing type
- Valve conforms to AWWA C508, clear waterway
- Fusion bonded epoxy coated RAL3002
- Flange drilled to ANSI B16.1 Class 125 / ANSI B16.5 Class 150 / EN1092-2 PN16 / BS10 Table D / Table E
- Working pressure : 300psi
- Working temperature : -10°C ... 110°C



### MATERIALS LIST

Name	Material
Body	Ductile Iron A536 65-45-12
Cover	Ductile Iron A536 65-45-12
Clapper	Ductile Iron A536 65-45-12 + EPDM
Clapper Arm	Ductile Iron A536 65-45-12
Hinge Pin	Stainless Steel AISI 304
Seat	Bronze ASTM B62
	Stainless Steel AISI 304

### DIMENSIONS (inch/mm)

Size	2"/50	2.5"/65	3"/80	4"/100	5"/125	6"/150	8"/200	10"/250	12"/300
L	8/203	10/254	11/279	13/330	14/356	16/406	19.5/495	22/559	26/660
H	4.60/117	5.04/128	5.21/132.5	8.76/222.5	11.42/290	11.69/297	14.37/365	16.34/417.5	17.83/453

### NET WEIGHT (kg) & CRATE QTY (pcs)

Size	2"/50	2.5"/65	3"/80	4"/100	5"/125	6"/150	8"/200	10"/250	12"/300
N.W.	12.00	17.50	22.00	34.00	58.00	67.30	120.00	174.00	246.00
Crate Qty	30	20	20	12	8	6	6	2	2