

# AUTOMATIC AIR VENT VALVE THREADED ENDS

200PSI

Fig No.: 9702



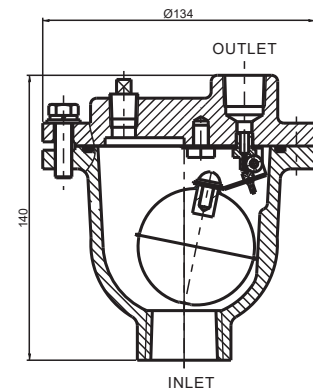
## FEATURES & SPECIFICATIONS

- Threaded ends : NPT or BSPT
- Working pressure : 200psi
- Working temperature : -10°C ... 120°C



## MATERIALS LIST

Name	Material
Body	Ductile Iron A536 65-45-12
Cover	Ductile Iron A536 65-45-12
Level	Stainless Steel AISI 304
Seat Ring	Stainless Steel
Float	Stainless Steel AISI 304
Float Arm	Stainless Steel AISI 304
Orifice Button	Viton



## DIMENSIONS (inch/mm)

Size	Female Threaded
1/2"/15	1/2" BSPT or NPT
3/4"/20	3/4" BSPT or NPT
1"/25	1" BSPT or NPT

## NET WEIGHT (kg) & CRATE QTY (pcs)

Size	N.W	Crate Qty
1/2" - 1"	2.9	300