

# FIREFLY BRONZE ANGLE VALVE THREADED ENDS

300PSI

Fig No.: BAV



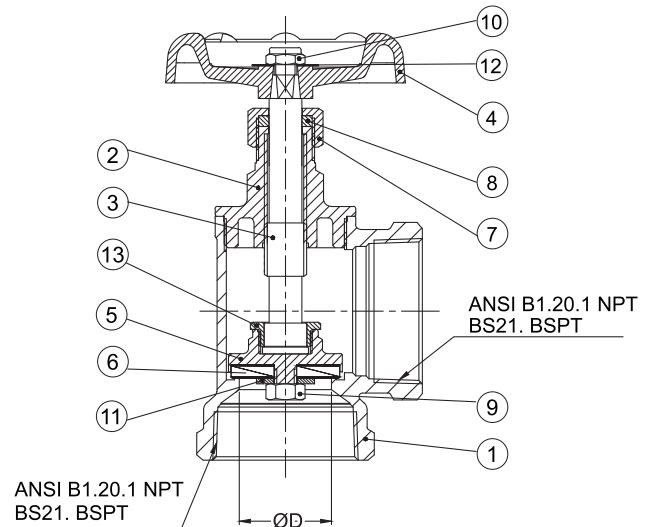
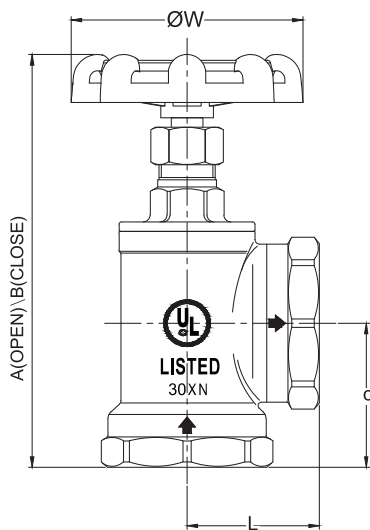
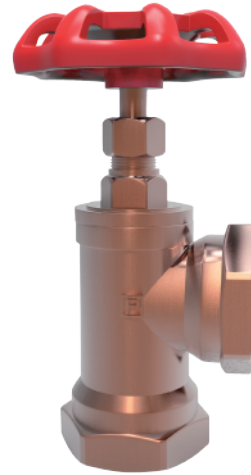
## FEATURES & SPECIFICATIONS

- Threaded ends : NPT or BSPT
- Working pressure : 300psi



## MATERIALS LIST

No.	Name	Material
1	Body	Bronze ASTM C84400
2	Bonnet	Forged Brass
3	Stem	Brass
4	Handwheel	Cast Iron
5	Disc Holder	Forged Brass
6	Seat	BUNA-N
7	Packing Nut	Brass
8	Gland Packing	PTFE
9	Lock Nut	Brass
10	Wheel Nut	Steel
11	Washer	Brass
12	Name Plate	Aluminum
13	Disc Nut	Brass



## DIMENSIONS (mm)

Size	A	B	C	ØD	L	ØW
2"/50	184.5	168.5	58.8	38	46	99

## NET WEIGHT (kg) & CRATE QTY (pcs)

Size	N.W.	Crate Qty
2"/50	1.82	12

Fivalco® is Registered Trade Mark  
**FIVALCO LIMITED**  
 info@fivalco.com | www.fivalco.com

Exclusive Distributor :  
**ENVALCO SDN. BHD.** (1039097-M)  
 No. 30, Jalan PJU 3/46, Sunway Damansara Technology Park, 47810 Petaling Jaya, Selangor Darul Ehsan, Malaysia  
 T: 603 - 7883 0018 | F: 603 - 7883 0012 | E: enquiry@envalco.com.my | W: www.envalco.com.my

Fivalco reserves the right to alter the information in this document without prior notice. Fivalco shall not be liable for technical errors or omissions contained herein.