

FIREFLY BRONZE BUTTERFLY VALVE THREADED ENDS

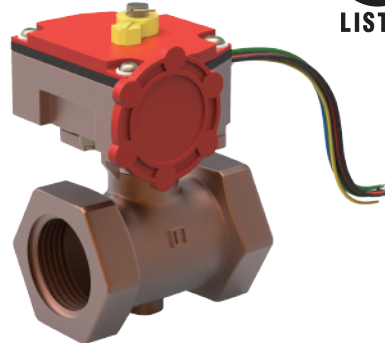
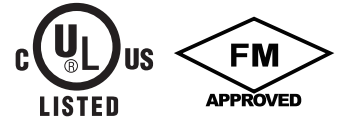
300PSI

Fig No.: BBT-300



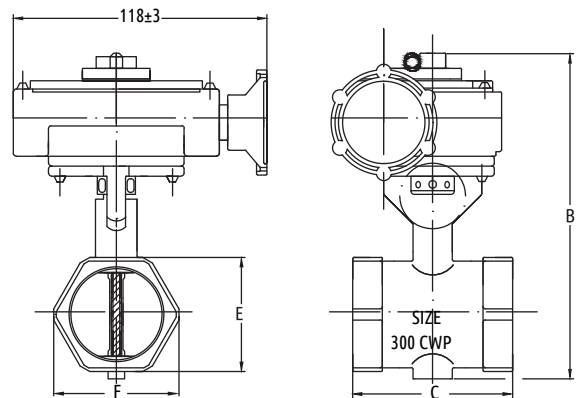
FEATURES & SPECIFICATIONS

- Factory installed UL listed double tamper switches
- Valve approved for indoor and outdoor use
- Threaded : NPT or BSPT
- Working pressure : 300psi
Max. Test Pressure : 600psi
- Max. working temperature : 250°F (120°C)



MATERIALS LIST

Name	Material
Body	Bronze C836000
Disc	Stainless Steel AISI304
Handwheel	WCB
Seat	Viton
Indicator	Powder Metal
Housing	Forged Brass



DIMENSIONS (mm)

Size	1"/25	1.25"/32	1.5"/40	2"/50	2.5"/65
B	129	137.9	145.9	159.8	175.5
C	54	66.7	73	82.6	114
E	39.7	49.2	55.6	70	86.5
F	44.5	55	60.3	79	96

NET WEIGHT (kg) & CRATE QTY (pcs)

Size	1"/25	1.25"/32	1.5"/40	2"/50	2.5"/65
N.W.	1.55	1.71	1.83	2.35	3.38
Crate Qty	6	6	6	6	6

Fivalco® is Registered Trade Mark
FIVALCO LIMITED
 info@fivalco.com | www.fivalco.com

Exclusive Distributor :
ENVALCO SDN. BHD. (1039097-M)
 No. 30, Jalan PJU 3/46, Sunway Damansara Technology Park, 47810 Petaling Jaya, Selangor Darul Ehsan, Malaysia
 T: 603 - 7883 0018 | F: 603 - 7883 0012 | E: enquiry@envalco.com.my | W: www.envalco.com.my

Fivalco reserves the right to alter the information in this document without prior notice. Fivalco shall not be liable for technical errors or omissions contained herein.