

# FIREFLY BRONZE 3 WAY GLOBE VALVE THREADED ENDS

**175PSI**

**Fig No.: BGL**

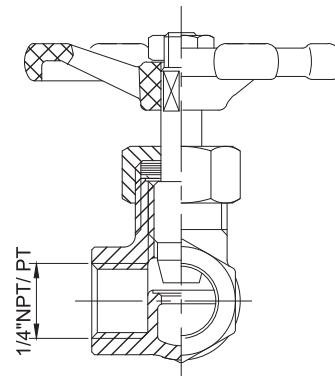
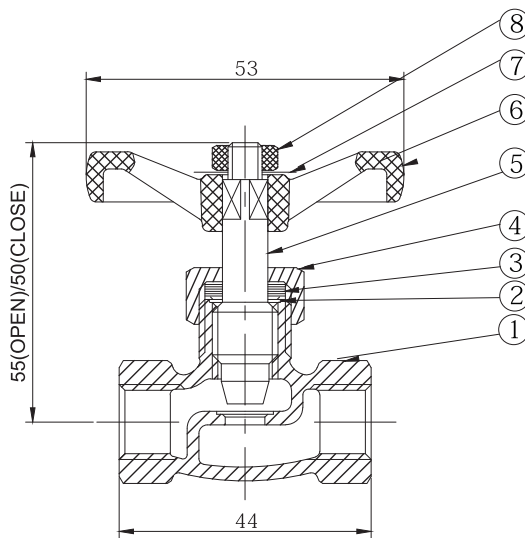
## FEATURES & SPECIFICATIONS

- Threaded ends : NPT or BSPT
- Working pressure : 175psi



## MATERIALS LIST

No.	Name	Material
1	Body	Bronze C84400
2	Washer	Steel
3	Packing	PTFE
4	Packing Nut	Brass
5	Stem	Brass
6	Handwheel	Cast Iron
7	Name Plate	Aluminum
8	Nut	Steel



## NET WEIGHT (kg) & CRATE QTY (pcs)

Size	N.W.	Crate Qty
1/4\"/8	0.17	144