

FIREFLY BRASS FIRE HOSE VALVE

300PSI

Fig No.: BHVFF

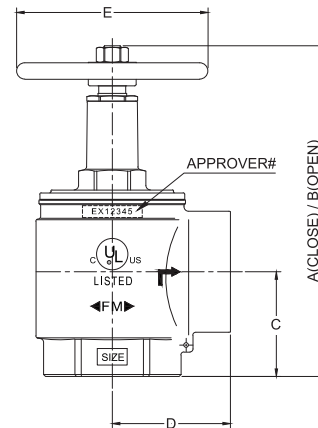
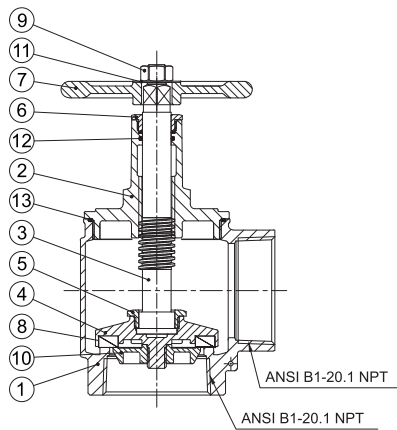
FEATURES & SPECIFICATIONS

- Inlet : Female NPT
Outlet : Female NPT
- Working pressure : 300psi



MATERIALS LIST

DET	QTY	Name	Material
1	1	Body	Brass ASTM B584
2	1	Bonnet	Brass ASTM B584
3	1	Stem	Brass
4	1	Disc Holder	Forged Brass
5	1	Disc Nut	Brass
6	1	Packing Nut	Brass
7	1	Handwheel	Ductile Iron
8	1	Seat	NBR
9	1	Nut	Stainless Steel
10	1	Clamping Ring	Forged Brass
11	1	Name Plate	Aluminum
12	2	O-Ring	NBR
13	1	O-Ring	NBR



DIMENSIONS (mm)

Size	A±2	B±2	C±0.5	D±0.5	E
1.5"/40	161.5	188	49.5	58	90
2.5"/65	222	270.5	70	79	128

NET WEIGHT (kg) & CRATE QTY (pcs)

Size	1.5"/40	2.5"/65
N.W.	1.75	4.03
Crate Qty	12	4