

# FIREFLY BRASS FIRE HOSE VALVE

**300PSI**

**Fig No.: BHVGM**



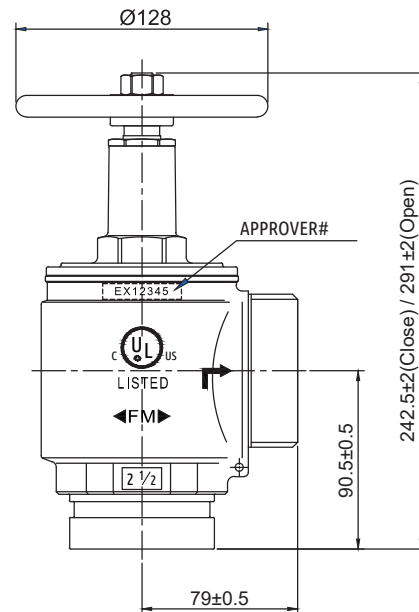
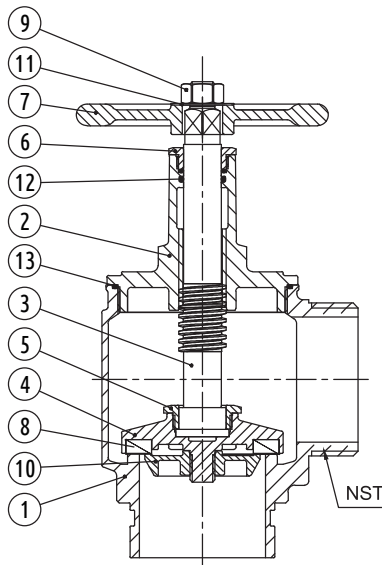
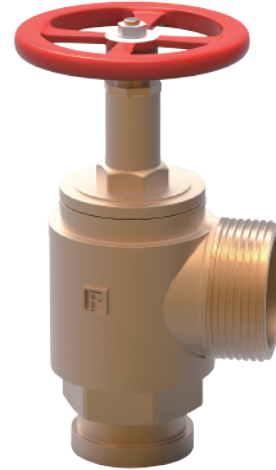
## FEATURES & SPECIFICATIONS

- Inlet : Grooved
- Outlet : Male NST
- Working pressure : 300psi



## MATERIALS LIST

DET	QTY	Name	Material
1	1	Body	Brass ASTM B584
2	1	Bonnet	Brass ASTM B584
3	1	Stem	Brass
4	1	Disc Holder	Forged Brass
5	1	Disc Nut	Brass
6	1	Packing Nut	Brass
7	1	Handwheel	Ductile Iron
8	1	Seat	NBR
9	1	Nut	Stainless Steel
10	1	Clamping Ring	Forged Brass
11	1	Name Plate	Aluminum
12	2	O-Ring	NBR
13	1	O-Ring	NBR



## NET WEIGHT (kg) & CRATE QTY (pcs)

Size	N.W.	Crate Qty
2.5"/65	4.18	4

**Fivalco® is Registered Trade Mark**  
**FIVALCO LIMITED**  
 info@fivalco.com | www.fivalco.com

Exclusive Distributor :  
**ENVALCO SDN. BHD.** (1039097-M)  
 No. 30, Jalan PJU 3/46, Sunway Damansara Technology Park, 47810 Petaling Jaya, Selangor Darul Ehsan, Malaysia  
 T: 603 - 7883 0018 | F: 603 - 7883 0012 | E: enquiry@envalco.com.my | W: www.envalco.com.my

Fivalco reserves the right to alter the information in this document without prior notice. Fivalco shall not be liable for technical errors or omissions contained herein.