

FIRERISER WET BARREL FIRE HYDRANT

250PSI

Fig No.: FV-WBH



FEATURES

- Complies with AWWA C503
- Working pressure : 250psi
- Working temperature : -10°C ... 120°C

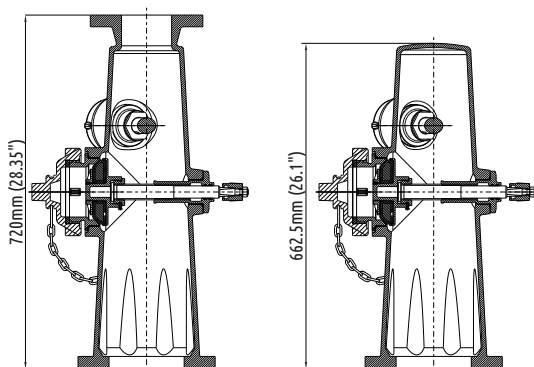
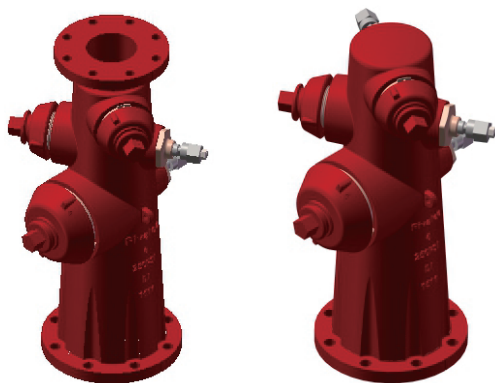
CONSTRUCTION

- One pumper nozzle 4.5-4NH threaded or 4-4NH threaded, two hose nozzles 2.5-7.5NH threaded
- The quantities for pumper nozzle and hose nozzles can be chosen
- Flange drilled to ANSI B16.1 Class 125 / EN1092-2 PN16
- Available in Monitor Flange Style



MATERIALS LIST

Name	Material
Hydrant Body	A536 65-45-12
Pumper Connection	
Chain	Carbon Steel + Zn
O-Ring	EPDM
Pumper Nozzle Cap	A536 65-45-12
Pumper Nozzle	C84400
Pumper Nozzle Gasket	EPDM
4.5" Gland	A351 CF8
Inner Six Angle Flat End Set Screw	A2
4.5" Disc Sealing Ring	EPDM
4.5" Disc	A351 CF8
Shaft	AISI 304/420
Fasten Nut	AISI 304
Inner Six Angle Cylindrical Head Screw	A2-70
4.5" Shaft Nut	C84400
O-Ring	EPDM
Operating Nut	A351 CF8
Hexagon Nut	A2-70
Hexagon Headed Bolt	AISI 304
Flat Washer	AISI 304
Hexagon Nut	AISI 304
Inner Six Angle Set Screw	Carbon Steel + Zn
Hose Connection	
O-Ring	EPDM
Hose Nozzle Cap	A536 65-45-12
Hose Nozzle	C84400
Hose Nozzle Gasket	EPDM
2.5" Gland	A351 CF8
2.5" Disc Sealing Ring	EPDM
2.5" Disc	A351 CF8
Shaft Stem Nut	C84400
Inner Six Angle Set Screw	Carbon Steel + Zn



MODEL OPTIONS

Model No.	Hose Nozzle	Pumper Nozzle	Monitor Flange	Lower Flange
FV-WBH-2H0P	2½" *2	--	--	6"
FV-WBH-2H0PM	2½" *2	--	4"	6"
FV-WBH-1H1P	2½" *1	4" or 4½" Pumper Connection *1	--	6"
FV-WBH-1H1PM	2½" *1	4" or 4½" Pumper Connection *1	4"	6"
FV-WBH-2H1P	2½" *2	4" or 4½" Pumper Connection *1	--	6"
FV-WBH-2H1PM	2½" *2	4" or 4½" Pumper Connection *1	4"	6"

Fivalco® is Registered Trade Mark
FIVALCO LIMITED
 info@fivalco.com | www.fivalco.com

Exclusive Distributor :
ENVALCO SDN. BHD. (1039097-M)
 No. 30, Jalan PJU 3/46, Sunway Damansara Technology Park, 47810 Petaling Jaya, Selangor Darul Ehsan, Malaysia
 T: 603 - 7883 0018 | F: 603 - 7883 0012 | E: enquiry@envalco.com.my | W : www.envalco.com.my

Fivalco reserves the right to alter the information in this document without prior notice. Fivalco shall not be liable for technical errors or omissions contained herein.