

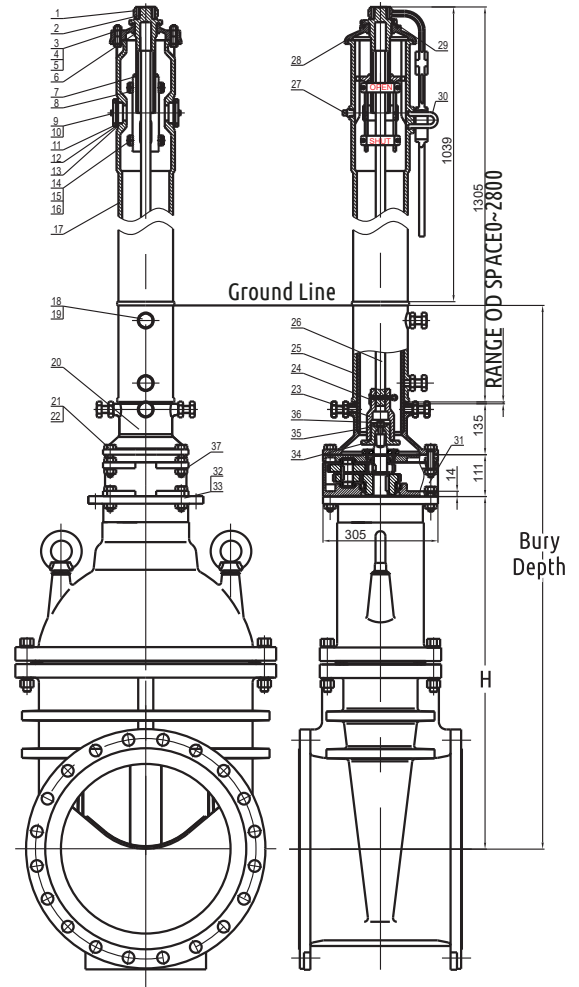
# LARGE NRS INDICATOR POST

Fig No.: IPOL888



## MATERIALS LIST

No.	Name	Material
1	Locking Wrench	ASTM A536
2	Operating Nut	ASTM B62/A351 CF8
3	Bolt	ASTM A105
4	Nut	ASTM A105
5	Flat Washer	ASTM A105
6	Shap Ring	AISI 606
7	Taget Carrier Nut	ASTM B62
8	Target	ASTM B108
9	Bolt	ASTM A105
10	Flat Washer	ASTM A105
11	Window Gland	ASTM A307B
12	Window Glass	LEXAN-UN STABILIZE
13	Gasket	EPDM
14	Bolt	ASTM A105
15	Spring Washer	ASTM A105
16	Nut	ASTM A105
17	Body	ASTM A536
18	Bolt	ASTM A105
19	Nut	ASTM A105
20	Base Flange	ASTM A126B
21	Bolt	ASTM A105
22	Nut	ASTM A105
23	Crane Coupling	ASTM A536
24	Cotter Pin	AISI 304
25	Stand Pipe	ASTM A536
26	Stem 1" Square	AISI 1045
27	Plug	AISI 304
28	Top Cover	ASTM A126B
29	Screw	AISI 304
30	Lock Nose	ASTM A307B
31	Reducer	PARTS
32	Bolt	ASTM A105
33	Nut	ASTM A105
34	Wrench Nut	ASTM A536
35	Washer	AISI 304
36	Hex. Socket Cap Screw	AISI 304
37	Spring Washer	AISI 304



## BURY DEPTH

Size	Min. Bury Depth (inch)	Max. Bury Depth (inch)	H1		H2	
			mm	inch	mm	inch
14"	50.87"	158.35"	741	29.17"	889.5	35.02"
16"	53.82"	161.30"	816	32.13"	964.5	37.97"
18"	58.54"	166.02"	936	36.85"	1084	42.68"
20"	61.89"	169.37"	1021	40.20"	1169	46.02"
24"	67.87"	175.35"	1173	46.18"	1344.5	52.93"

## FIELD ADJUSTMENT

1. Remove the top section from the top of the Indicator Post assembly.
2. Cut the required length off the bottom of the Standpipe for the Gound Line to match up with Standpipe Gound Line mark.
3. Set the "OPEN" and "SHUT" targets for the appropriate valve size.
4. Reattach the Top Section to the top of the Indicator Post assembly.

Fivalco® is Registered Trade Mark  
**FIVALCO LIMITED**  
 info@fivalco.com | www.fivalco.com

Exclusive Distributor :  
**ENVALCO SDN. BHD.** (1039097-M)  
 No. 30, Jalan PJU 3/46, Sunway Damansara Technology Park, 47810 Petaling Jaya, Selangor Darul Ehsan, Malaysia  
 T: 603 - 7883 0018 | F: 603 - 7883 0012 | E: enquiry@envalco.com.my | W: www.envalco.com.my