

HIGHRISER Y STRAINER FLANGED ENDS

300PSI

Fig No.: YS-300-FF



FEATURES & SPECIFICATIONS

- Fusion bonded epoxy coated RAL3002
- Flange drilled to ANSI B16.1 Class 125 / ANSI B16.5 Class 150 / EN1092-2 PN16 / BS10 Table D / Table E
- Working pressure : 300psi
- Working temperature : -10°C ... 120°C

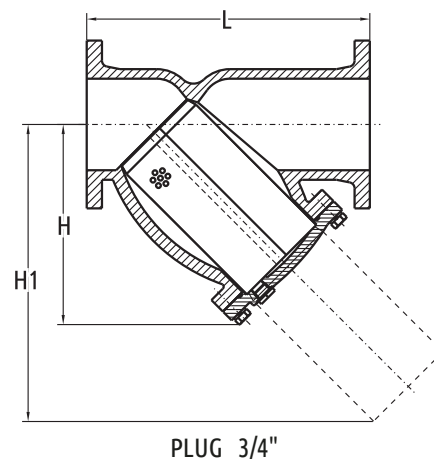


MATERIALS LIST



Name	Material
Body	Ductile Iron A536 65-45-12
Cover	Ductile Iron A536 65-45-12
Screen	Stainless Steel AISI 304
Gasket	EPDM
Plug	Carbon Steel

Size In/mm	Measured Loss at 15 fps (4.6m/s)
2"/50	7.22 psi
2.5"/65	5.89 psi
3"/80	8.24 psi
4"/100	5.88 psi
5"/125	7.63 psi
6"/150	4.82 psi
8"/200	5.83 psi
10"/250	7.25 psi
12"/300	5.73 psi



DIMENSIONS (inch/mm)

Size	2"/50	2.5"/65	3"/80	4"/100	5"/125	6"/150	8"/200	10"/250	12"/300
L	7.99/203	10.00/254	10.24/260	12.13/308	15.67/398	18.58/472	21.65/550	25.75/654	30.00/762
H	5.20/132	6.22/158	6.89/175	7.99/202	11.42/290	13.15/334	15.39/391	18.11/460	23.23/590
H1	7.68/195	9.45/240	10.63/270	12.60/320	16.73/425	19.49/495	22.44/570	27.56/700	33.07/840

NET WEIGHT (kg) & CRATE QTY (pcs)

Size	2"/50	2.5"/65	3"/80	4"/100	5"/125	6"/150	8"/200	10"/250	12"/300
N.W.	7.55	13.05	17.00	26.00	32.00	55.60	93.60	132.00	206.00
Crate Qty	90	50	40	32	16	12	6	2	2

Fivalco® is Registered Trade Mark
FIVALCO LIMITED
 info@fivalco.com | www.fivalco.com

Exclusive Distributor :
ENVALCO SDN. BHD. (1039097-M)
 No. 30, Jalan PJU 3/46, Sunway Damansara Technology Park, 47810 Petaling Jaya, Selangor Darul Ehsan, Malaysia
 T: 603 - 7883 0018 | F: 603 - 7883 0012 | E: enquiry@envalco.com.my | W: www.envalco.com.my

Fivalco reserves the right to alter the information in this document without prior notice. Fivalco shall not be liable for technical errors or omissions contained herein.