

# DOUBLE ECCENTRIC BUTTERFLY VALVE

PN16 F13E16  
PN25 F13E25



## FEATURES & SPECIFICATIONS

- Double eccentric double flange
- Comply with BS EN593 / BS 5155 / ISO 5752
- Flange drilled to EN1092-2 PN16 / EN1092-2 PN25 / ANSI Class 150 / JIS10K / AS 2129 Table E (Specify on order)

## PRESSURE & TEMPERATURE RATINGS

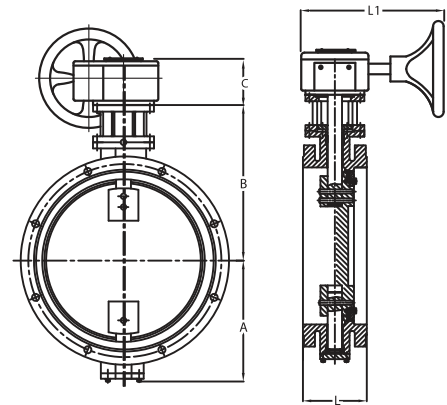
Working Pressure	16bar	25bar
Shell Test Pressure (x1.5)	24bar	37.5bar
Seat Test Pressure (x1.1)	17.6 bar	27.5bar
Working Temperature	-10°C ... 120°C	
Suitable Media	Water, Oil & Gas	



## MATERIAL SPECIFICATIONS

Part	Material
Body	Ductile Iron
Disc	Ductile Iron
Shaft	Stainless Steel 410 / 431
Packing	Flexible Graphite
Seat Ring	Stainless Steel 304
Rubber Seals	EPDM NBR

Note: Shaft material for PN25 shall be Stainless Steel 431



## DIMENSIONS

DN	(mm)	100	150	200	250	300	350	400	450	500	600
	(inch)	4	6	8	10	12	14	16	18	20	24
A	-	122	162	175	208	283	313	343	368	395	460
B	-	177	215	258	283	438	468	508	533	560	635
C	-	70	76	76	79	101	101	113	113	128	128
L	(Long)	190	210	230	250	270	290	310	330	350	390
L	(Middle)	127	140	152	165	178	190	216	222	229	267
L	(Short)	-	-	89	114	114	127	140	152	152	178
L1		215	303	303	300	279	279	373	373	432	432

DN	(mm)	700	800	900	1000	1200	1400	1600	1800	2000
	(inch)	28	32	36	40	48	56	64	72	80
A	-	518	588	653	727	808	1031	1170	1270	1360
B	-	693	753	803	875	1012	1250	1375	1488	1590
C	-	144	144	172	183	183	256	305	332	392
L	(Long)	430	470	510	550	630	710	790	870	950
L	(Middle)	292	318	330	410	470	530	600	670	760
L	(Short)	229	241	241	300	350	390	440	490	540
L1		501	501	548	656	656	794	981	1075	1354

Fivalco® is Registered Trade Mark  
**FIVALCO LIMITED**  
info@fivalco.com | www.fivalco.com

Exclusive Distributor:  
**ENVALCO SDN. BHD.** (1039097-M)  
No. 30, Jalan PJU 3/46, Sunway Damansara Technology Park, 47810 Petaling Jaya, Selangor Darul Ehsan, Malaysia  
T: 603 - 7883 0018 | F: 603 - 7883 0012 | E: enquiry@envalco.com.my | W: www.envalco.com.my

Fivalco reserves the right to alter the information in this document without prior notice. Fivalco shall not be liable for technical errors or omissions contained herein.