

GROOVED END BUTTERFLY VALVE

300PSI F17-300



FEATURES & SPECIFICATIONS

- Centrally mounted disc and hydrodynamic design minimise pressure loss
- EPDM coated disc for leak-free pipeline isolation
- Design comply with MSS SP-67
- Grooved dimensions to suit BS / ANSI / AWWA pipe sizes (Specify grooved type when ordering)
- Applicable for Building Services, Air-Conditioning, Fire Protection, Cold Water Plumbing, Hot Water System, General Industries

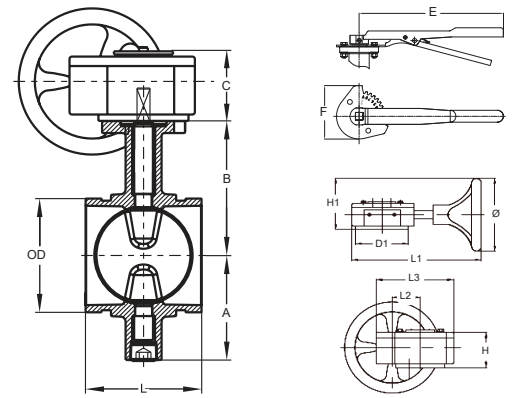


PRESSURE & TEMPERATURE RATINGS

Working Pressure	300psi
Shell Test Pressure (x1.5)	450psi
Seal Test Pressure (x1.1)	330psi
Working Temperature	-20°C ... 110°C (EPDM)
Suitable Media	Water, Oil & Gas

MATERIAL SPECIFICATIONS

Part	Material
Body	Ductile Iron
Disc	Ductile iron with EPDM Coating
Upper / Lower Stem	Stainless Steel 410 / 416 / 420
Seat Ring / O-Ring	EPDM
Bushing	PTFE / Bronze
Lever	Malleable Iron
Top Indicator Plate	Carbon Steel / SS304 / SS316
Worm Gear and Handwheel	Cast Iron
Gear Box Shaft	Carbon Steel



DIMENSIONS

DN	(mm)	50	65	80	100	125	150	200	250	300	(mm)
	(inch)	2	2½	3	4	5	6	8	10	12	
A		72	75	82	105	126	138	167	202	255	
B		95	98	105	135	148	165	204	245	277.5	
C		213	216	223	253	269	285	368	373	403.5	
L		84.5	98	98	116	149	147.6	134	160	165	
OD		60.3	73.0/76.1	88.9	114.3	139.7/141.3	165.1/168.3	219.1	273	323.9	
E		266	266	266	266	266	226	357	357	357	
F		110	110	110	110	110	110	163	163	163	
D1		108	108	108	108	108	146	146	165	165	
Ø		145	145	145	145	145	285	285	285	285	
H		65	65	65	65	65	70	70	77	77	
H1		113	113	113	113	113	182	182	182	182	
L1		212	212	212	212	212	305	305	300	300	
L2		45	45	45	45	45	62	62	85	85	
L3		129	129	129	129	129	171	171	198	198	

Fivalco® is Registered Trade Mark
FIVALCO LIMITED
 info@fivalco.com | www.fivalco.com

Exclusive Distributor :
ENVALCO SDN. BHD. (1039097-M)
 No. 30, Jalan PJU 3/46, Sunway Damansara Technology Park, 47810 Petaling Jaya, Selangor Darul Ehsan, Malaysia
 T: 603 - 7883 0018 | F: 603 - 7883 0012 | E: enquiry@envalco.com.my | W: www.envalco.com.my

Fivalco reserves the right to alter the information in this document without prior notice. Fivalco shall not be liable for technical errors or omissions contained herein.