

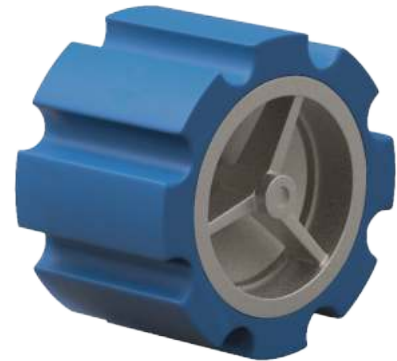
# WAFER TYPE SILENT CHECK VALVE

PN16 F51N16  
PN25 F51N25



## FEATURES & SPECIFICATIONS

- Spring loaded
- Rubber seat ring for non-slam effect
- Durable fusion bonded epoxy coated
- Comply with BS 5153 / EN 12334 / MS SSP71
- Wafer connection to BS 4504 PN16 / EN 1092-2 PN16 / BS 4504 PN25 / EN 1092-2 PN25 / ANSI Class 150 (Specify on order)
- Applicable for Building Services, Air-Conditioning, Fire Protection, Cold Water Plumbing, Hot Water System, General Industries.

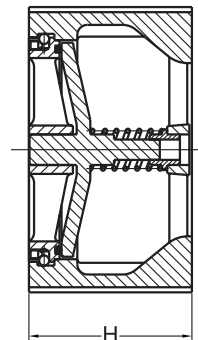
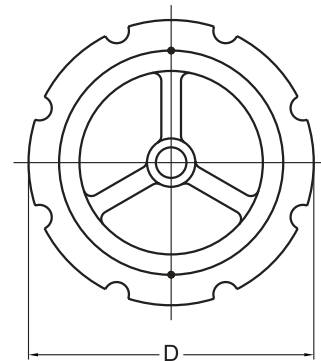


## PRESSURE & TEMPERATURE RATINGS

Working Pressure	16bar	25bar
Shell Test Pressure (x1.5)	24bar	37.5bar
Seat Test Pressure (x1.1)	17.6bar	27.5bar
Working Temperature	-20°C ... 110°C EPDM -10°C ... 80°C NBR	
Suitable Media	Water, Oil & Gas	

## MATERIAL SPECIFICATIONS

Part	Material	Specification
Body	Cast Iron	EN-JL 1040
	Ductile Iron	EN-JS 1050
Disc	Ductile Iron	EN-JS 1050
	Stainless Steel 304	EN 10088-3 1.4301
	Aluminium Bronze	EN 1982 CC491K
Seat	Ductile Iron	EN-JS 1050
	Stainless Steel 304	EN 10088-3 1.4301
	Aluminium Bronze	EN 1982 CC491K
Seat Ring	EPDM	
	NBR	
Stem	Stainless Steel 410	EN 10088-3 1.4006
Spring	Stainless Steel 304	EN 10088-3 1.4301
Bushing	Gunmetal	EN 1982-2008 GC CC491K



## DIMENSIONS

DN (mm)	50	65	80	100	125	150	200	250	300	350
(inch)	2	2½	3	4	5	6	8	10	12	14
H	67	73	80	102	118	140	165	210	286	350
D	110	136	152	178	221	248	340	404	415	484

Fivalco® is Registered Trade Mark  
FIVALCO LIMITED  
info@fivalco.com | www.fivalco.com

Exclusive Distributor :  
**ENVALCO SDN. BHD.** (1039097-M)  
No. 30, Jalan PJU 3/46, Sunway Damansara Technology Park, 47810 Petaling Jaya, Selangor Darul Ehsan, Malaysia  
T: 603 - 7883 0018 | F: 603 - 7883 0012 | E: enquiry@envalco.com.my | W : www.envalco.com.my

Fivalco reserves the right to alter the information in this document without prior notice. Fivalco shall not be liable for technical errors or omissions contained herein.