

ORIFICE AIR VALVE

PN16 F93S16



FEATURES & SPECIFICATIONS

- Comply with JKR 20200-0043-99
- Capable to withstand hydrostatic pressure of 24 bar without any sign of leakage
- Flange drilled to BS 4504 PN 16 / EN 1092-2 PN 16 / ANSI Class 150
(Specify on order)

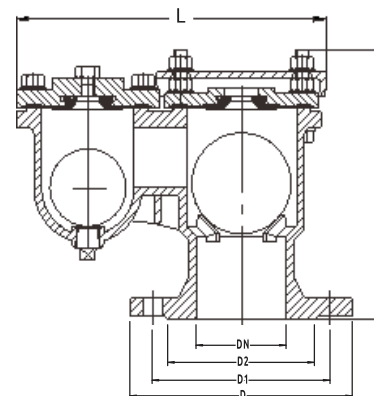
PRESSURE & TEMPERATURE RATINGS

Working Pressure	16bar
Shell Testing Pressure (x1.5)	24bar
Seat Testing Pressure (x1.1)	17.6bar
Working Temperature	-10°C ... 100°C
Suitable Media	Water



MATERIAL SPECIFICATIONS

Part	Material	Specification
Body	Ductile Iron	EN-JS 1050
Orifice Cover	Ductile Iron	EN-JS 1050
Air Release Nipple	Brass	EN 12165 CW603N
Screw Plug	Brass	EN 12165 CW603N
Float Ball	ABS (ISO2580)	Commercial
Ball Seal Orifice	EPDM	Commercial
Gasket	EPDM	Commercial
Dust Cap	Ductile Iron	EN-JS 1050



DIMENSIONS

DN	(mm)	40	50	65	80	100	125	150	200	250
	(inch)	1½	2	2½	3	4	5	6	8	10
L		224	273	273	283	302	353	353	433	491
H		187	214	214	244	270	323	323	401	450
D		150	165	185	200	220	250	285	340	405
D1		110	125	145	160	180	210	240	295	355
D2		84	99	118	132	156	184	211	266	319

Fivalco® is Registered Trade Mark
FIVALCO LIMITED
 info@fivalco.com | www.fivalco.com

Exclusive Distributor:
ENVALCO SDN. BHD. (1039097-M)
 No. 30, Jalan PJU 3/46, Sunway Damansara Technology Park, 47810 Petaling Jaya, Selangor Darul Ehsan, Malaysia
 T: 603 - 7883 0018 | F: 603 - 7883 0012 | E: enquiry@envalco.com.my | W: www.envalco.com.my

Fivalco reserves the right to alter the information in this document without prior notice. Fivalco shall not be liable for technical errors or omissions contained herein.