

PRESSURE / TEMPERATURE TEST PLUG

FTP06

SPECIFICATIONS

- Taper threaded to BS EN 10226-2 (ISO7-1)
- 1000 insertion style pressure / temperature test plug are fitted as standard to Flow Measurement Device and regulation valves

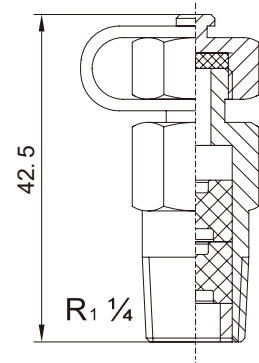


TEMPERATURE / PRESSURE RATINGS

Temperature (°C)	-10 to 100	100	120
Pressure (Bar)	25	25	25

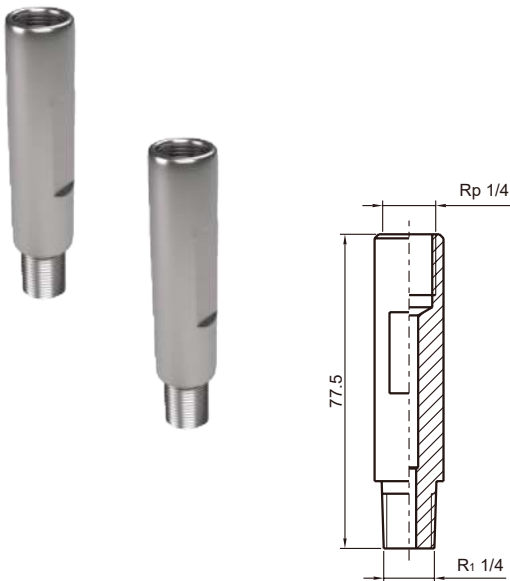
MATERIALS

Part	Material	Specification
Cap	Brass	BSEN12165 CW602N
Cap Washer	EPDM	
Body	Brass	BSEN12165 CW602N
Tie	Polypropylene	
Seal	EPDM	
Retaining Ring	Brass	BSEN12165 CW602N



EXTENSION TUBE

Fig No.: FET06



SPECIFICATIONS

- Taper threaded to BS EN 10226-2 (ISO7-1)

TEMPERATURE / PRESSURE RATINGS

Temperature (°C)	-10 to 100	100	120
Pressure (Bar)	25	25	25

MATERIALS

Part	Material
Extension Tube	Stainless Steel