

FEATURES & SPECIFICATIONS

- Maintain constant flow, regardless of fluctuations of system pressure
- The flow rate is adjustable at the pilot, it senses the pressure differential across an orifice plate mounted in the valve outlet flange
- Whenever the system pressure changes, the pilot responds and modulate the main valve to maintain the desired flow
- Full bore globe pattern design for superior control characteristic
- Nylon reinforced diaphragm for long-lasting performance
- Durable fusion bonded epoxy coated
- Flange drilled to EN 1092-2 PN16 / EN 1092-2 PN25 / ANSI Class 150
- Design comply with EN 1074 -5

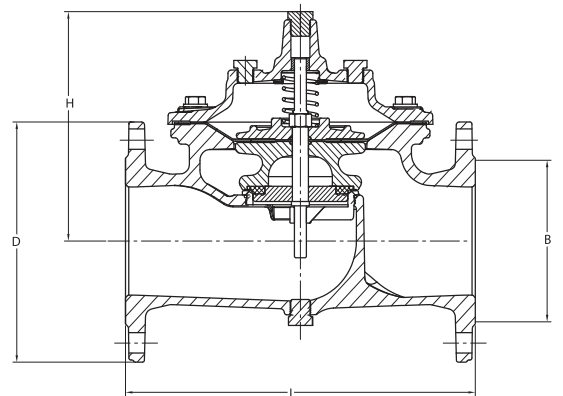


PRESSURE & TEMPERATURE RATINGS

Working Pressure	16bar	25bar
Shell Test Pressure (x1.5)	24bar	37.5bar
Seat Test Pressure (x1.1)	17.6bar	27.5bar
Working Temperature	-20°C ... 110°C (EPDM) -10°C ... 80°C (NBR)	
Suitable Media	Water	

MATERIAL SPECIFICATIONS

Part	Material	Standard
Body	Ductile Iron	EN-JS 1050
Bonnet	Ductile Iron	EN-JS 1050
Plug	Stainless Steel 304	AISI 304
Stem	Stainless Steel 304	AISI 304
Seat	Stainless Steel 304	AISI 304
Seat Retainer	Stainless Steel 304	AISI 304
Spring	Stainless Steel 304	AISI 304
Diaphragm	Nylon Reinforced Rubber	EPDM + Nylon Fabric
Seal Ring	Rubber	EPDM
O-Ring	Rubber	NBR



DIMENSIONS

DN	(mm)	50	65	80	100	125	150	200	250	300	(mm)
	(inch)	2	2½	3	4	5	6	8	10	12	
L		230	290	310	350	400	480	600	730	850	
H		177	202	219	243	243	333	428	478	538	
D		165	185	200	220	250	285	340	405	460	
B		99	118	132	156	156	211	266	319	370	

FLOW CONTROL VALVE

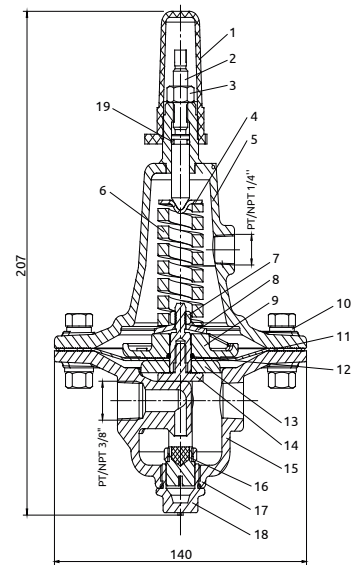
PN16 F6316-FCV
PN25 F6325-FCV



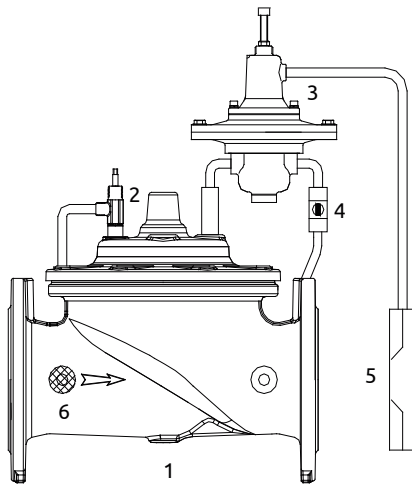
PILOT VALVE SPECIFICATION

No.	Description	Material
1	Cap	ABS Plastic
2	Adjusting Screw	Stainless Steel 304
3	Jam Nut	Stainless Steel 304
4	Spring Table	Stainless Steel 304
5	Bonnet	Stainless Steel 304
6	Spring	Spring Steel
7	Nut	Stainless Steel 304
8	Spring Table	Spring Steel
9	Fixing Holder	Stainless Steel 304
10	Screw	Stainless Steel 304

No.	Description	Material
11	Diaphragm	Nylon Reinforced + EPDM
12	O-Ring	NBR
13	Gasket	Stainless Steel 304
14	Stem	Stainless Steel 304
15	Body	Stainless Steel 304
16	Disc	Stainless Steel 304 + EPDM
17	O-Ring	NBR
18	Plug	Stainless Steel 304
19	O-Ring	NBR



VALVE COMPOSITION



- 1 Main Valve
- 2 Needle Valve
- 3 Pilot Valve (P400)
- 4 Ball Valve
- 5 Orifice Kit
- 6 Strainer

TYPICAL CONNECTION

