

FEATURES & SPECIFICATIONS

- The pressure differential valve will open against the system pressure differential whenever exceeds the pilot setting
- Full bore globe pattern design for superior control characteristic
- Nylon reinforced diaphragm for long-lasting performance
- Durable fusion bonded epoxy coated
- Flange drilled to EN 1092-2 PN16 / EN 1092-2 PN25 / ANSI Class 150
- Design comply with EN 1074 -5

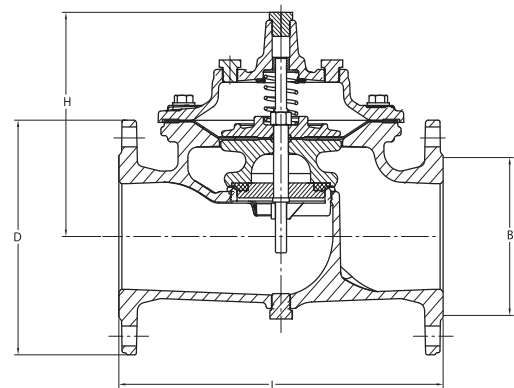


PRESSURE & TEMPERATURE RATINGS

Working Pressure	16bar	25bar
Shell Test Pressure (x1.5)	24bar	37.5bar
Seat Test Pressure (x1.1)	17.6bar	27.5bar
Working Temperature	-20°C ... 110°C (EPDM) -10°C ... 80°C (NBR)	
Suitable Media	Water	

MATERIAL SPECIFICATIONS

Part	Material	Standard
Body	Ductile Iron	EN-JS 1050
Bonnet	Ductile Iron	EN-JS 1050
Plug	Stainless Steel 304	AISI 304
Stem	Stainless Steel 304	AISI 304
Seat	Stainless Steel 304	AISI 304
Seat Retainer	Stainless Steel 304	AISI 304
Spring	Stainless Steel 304	AISI 304
Diaphragm	Nylon Reinforced Rubber	EPDM + Nylon Fabric
Seal Ring	Rubber	EPDM
O-Ring	Rubber	NBR



DIMENSIONS

DN	(mm)	50	65	80	100	125	150	200	250	300	(mm)
	(inch)	2	2½	3	4	5	6	8	10	12	
L		230	290	310	350	400	480	600	730	850	
H		177	202	219	243	243	333	428	478	538	
D		165	185	200	220	250	285	340	405	460	
B		99	118	132	156	156	211	266	319	370	

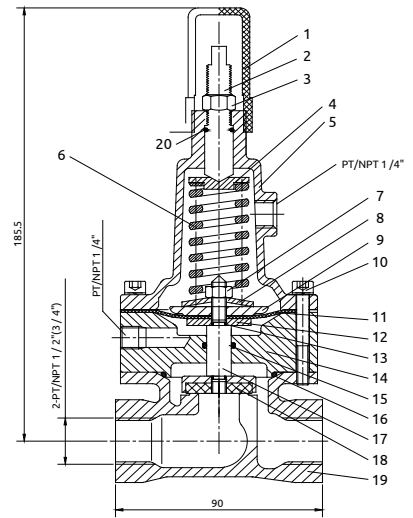
PRESSURE DIFFERENTIAL VALVE

PN16 F6316-PPD
PN25 F6325-PPD

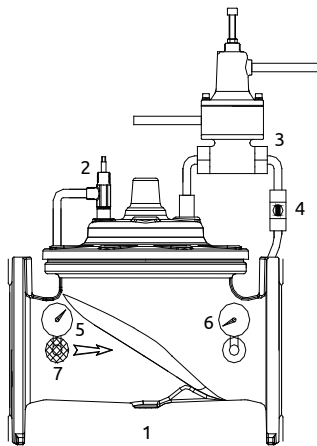


PILOT VALVE SPECIFICATION

No.	Description	Material	No.	Description	Material
1	Cap	ABS Plastic	12	Gasket	Stainless Steel 304
2	Adjusting Screw	Stainless Steel 304	13	O-Ring	NBR
3	Jam Nut	Stainless Steel 304	14	Internal Body	Stainless Steel 304
4	Spring Table	Stainless Steel 304	15	O-Ring	NBR
5	Bonnet	Stainless Steel 304	16	O-Ring	NBR
6	Spring	Spring Steel	17	Stem	Stainless Steel 304
7	Nut	Stainless Steel 304	18	Disc	Stainless Steel 304 + EPDM
8	Spring Table	Spring Steel	19	Body	Stainless Steel 304
9	Fixing Holder	Stainless Steel 304	20	O-Ring	NBR
10	Screw	Stainless Steel 304			
11	Diaphragm	Nylon Reinforced + EPDM			



VALVE COMPOSITION



- 1 Main Valve
- 2 Needle Valve
- 3 Pilot Valve P800
- 4 Ball Valve
- 5 Inlet Pressure Gauge
- 6 Outlet Pressure Gauge
- 7 Strainer

TYPICAL CONNECTION

